



GEEPLUS

VM5042 & VM5050

P_{100} is the continuous (100% ED) excitation power at which the coil attains temperature T_{max} with the part mounted to a massive heatsink at 20°C

P_{100} 24 W

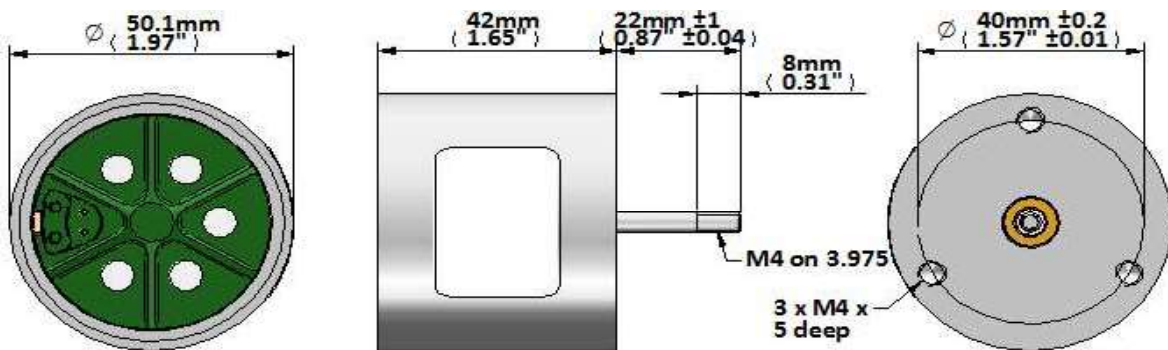
T_{max} 130 °C

Total Mass 480 g

Coil Mass 35 g

Model No.	Resistance R_{20}	Inductance	Force Constant	Velocity Constant	Current I_{100}
VM50xx-400	2.5 Ω	1.3 mH	7 N/A	7 Vs/m	2.6 A
VM50xx-250	15.0 Ω	5.6 mH	17 N/A	17 Vs/m	1.1 A
VM50xx-190	45.0 Ω	20.0 mH	30 N/A	30 Vs/m	0.6 A

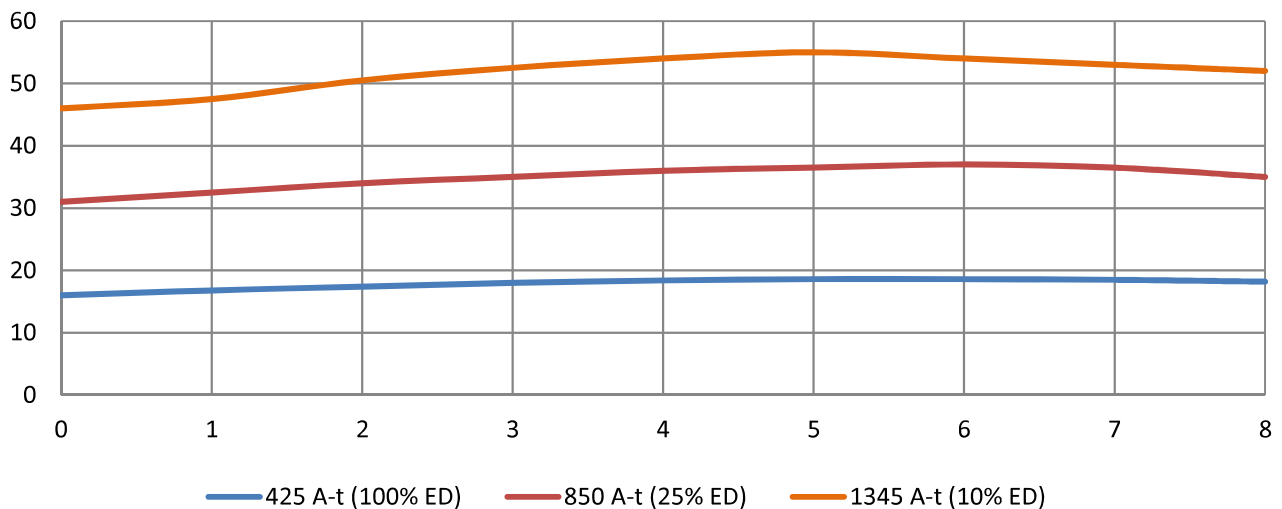
	Max 'ON' time	Peak Force
100% ED	∞	19 N
50% ED	65 s	27 N
25% ED	12 s	37 N
10% ED	3 s	54 N



INCREASING STROKE 0mm

VM5050 incorporates end cover and flex circuit termination to coil with leadwires 24AWG, UL????, 300mm (12") minimum length. Stroke is limited to 8mm.

Force (N) vs Displacement (mm)



Geeplus reserves the right to change specifications without notice

www.geeplus.com