



# GEEPLUS

# VM2436

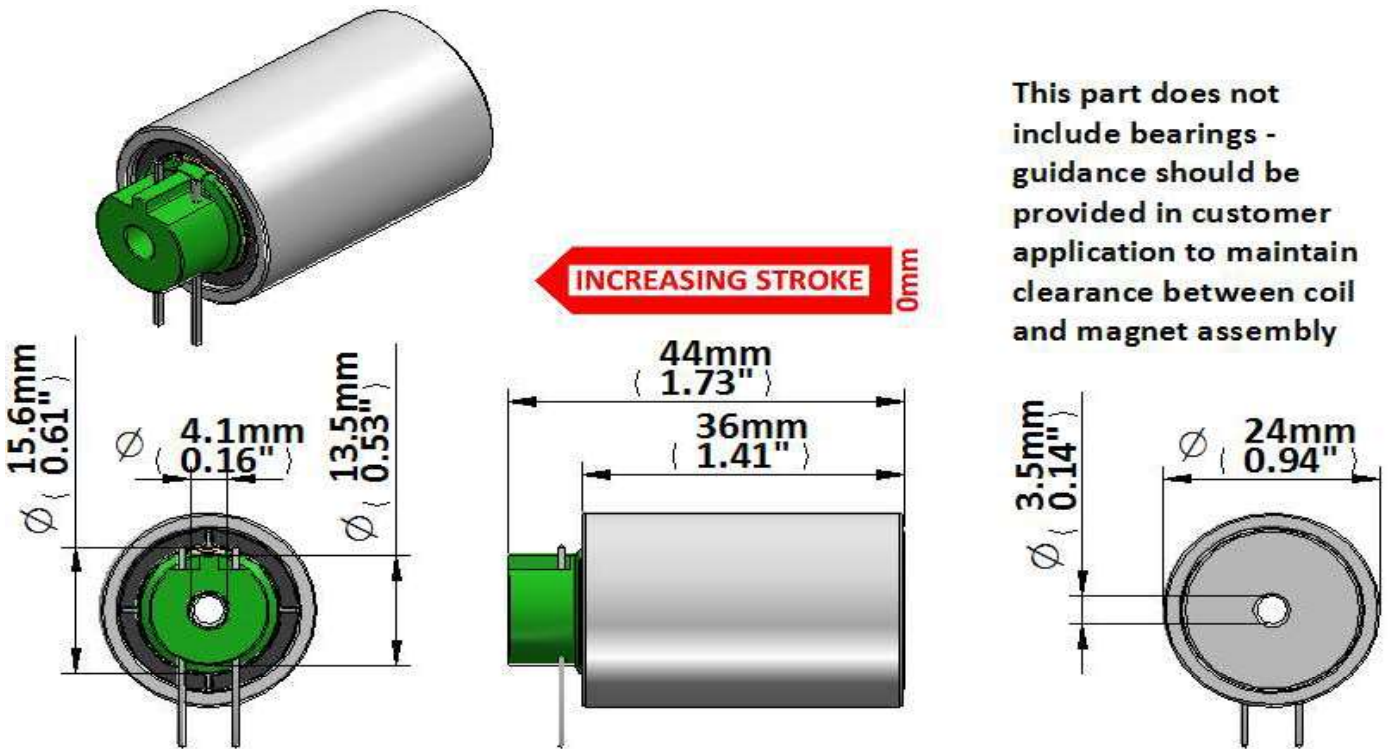
$P_{100}$  is the continuous (100% ED) excitation power at which the coil attains temperature  $T_{max}$  with the part mounted to a massive heatsink at 20°C

$P_{100}$  12.5 W  
 $T_{max}$  130 °C

Total Mass 98 g  
 Coil Mass 9 g

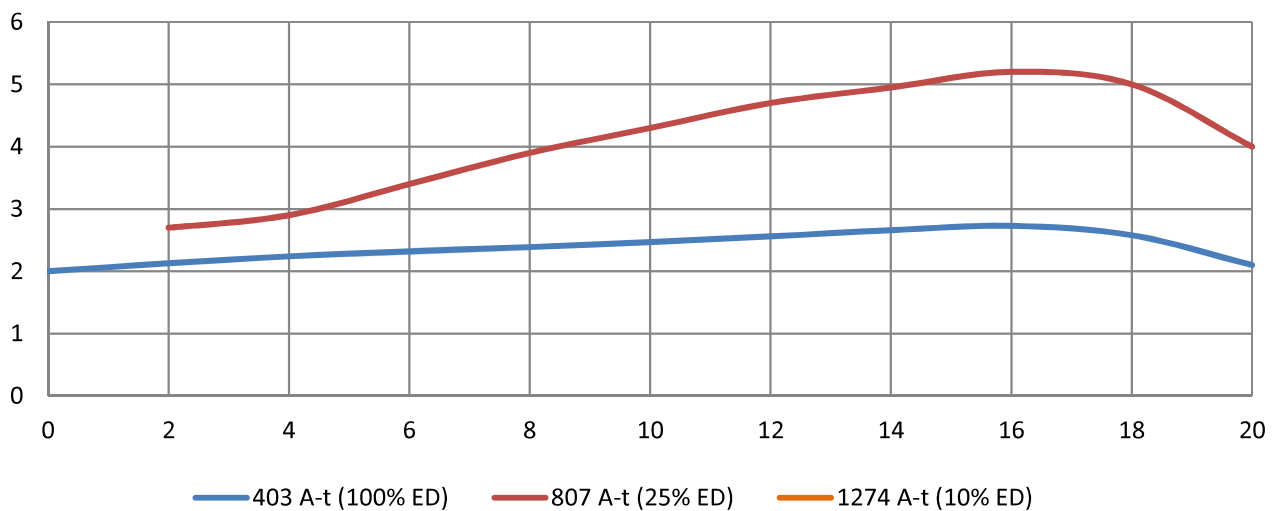
Model No.	Resistance $R_{20}$	Inductance	Force Constant	Velocity Constant	Current $I_{100}$
VM2436-375	1.0 $\Omega$	0.2 mH	0.7 N/A	0.7 Vs/m	2.99 A
VM2436-180	17.8 $\Omega$	3.6 mH	2.9 N/A	2.9 Vs/m	708 mA
VM2436-112	107.0 $\Omega$	22.0 mH	6.7 N/A	6.7 Vs/m	289 mA

	Max 'ON' time	Peak Force
100% ED	$\infty$	2.7 N
50% ED	22 s	3.8 N
25% ED	9 s	5.2 N
10% ED	3 s	7.5 N



This part does not include bearings - guidance should be provided in customer application to maintain clearance between coil and magnet assembly

Force (N) vs Displacement (mm) [outwards direction]



Geeplus reserves the right to change specifications without notice  
[www.geeplus.com](http://www.geeplus.com)