

MICRO DETENT HINGE MPH-20-5G2



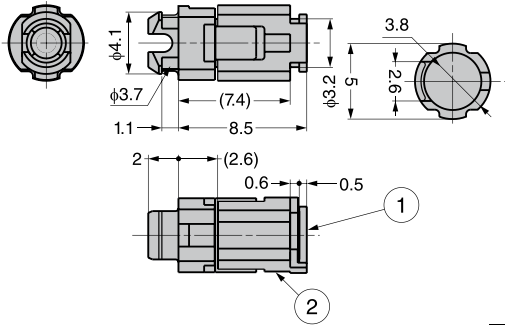
- Ultra compact detent hinge suitable for clamshell type cell phones, PDA and other foldable devices.
- Small diameter of $\phi 5$ for space-saving and downsizing of casing.
- Designed for 160° opening, and detent catch in open and closed position.
- Easy snap-in for quick assembly.

[Applications]

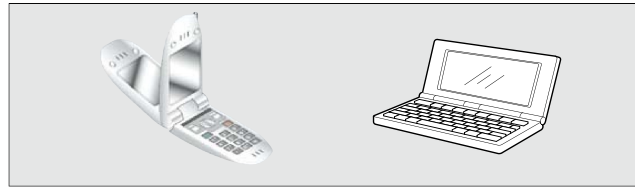
- Cell phone, PDA, remote control, gaming device, etc.

[Remarks]

- For clamshell type cell phones, with weight up to 55g when using two hinges.
- The boundary between the movable side and fixed side of casing shall be set near the hinge centre.
- For more details on mounting dimensions, please contact local representatives.



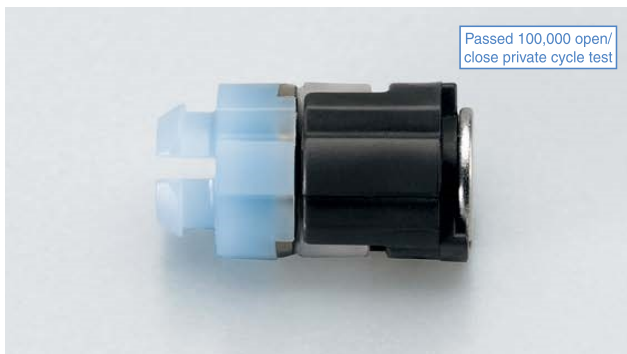
[Application Example]



No.	Part Name	Material	Finish / Colour
①	Spindle	Steel	Clear Zinc Chromate
②	Body	POM	White

RoHS	CAD	Item Code	Item Name	Opening Angle	Weight (g)	Box (pcs)
		170-090-536	MPH-20-5G2	160°	0.46	4000

MICRO DETENT HINGE MPH-22G



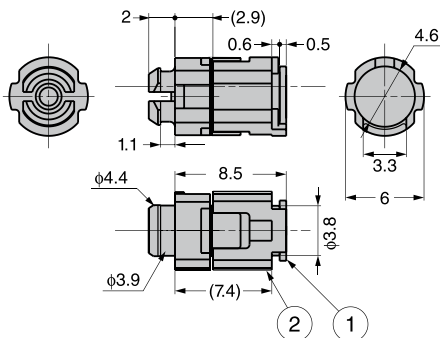
- Ultra compact detent hinge suitable for clamshell type cell phones, PDA and other foldable devices.
- Designed for 160° opening, and detent catch in open and closed position.
- Easy snap-in for quick assembly.

[Applications]

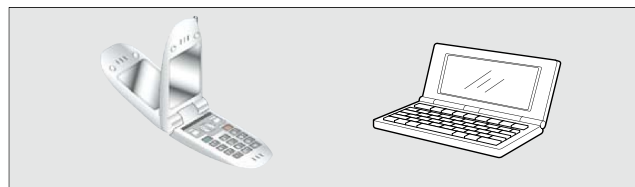
- Cell phone, PDA, remote control, gaming device, etc.

[Remarks]

- For clamshell type cell phones, with weight up to 55g when using two hinges.
- The boundary between the movable side and fixed side of casing shall be set near the hinge centre.
- For more details on mounting dimensions, please contact local representatives.



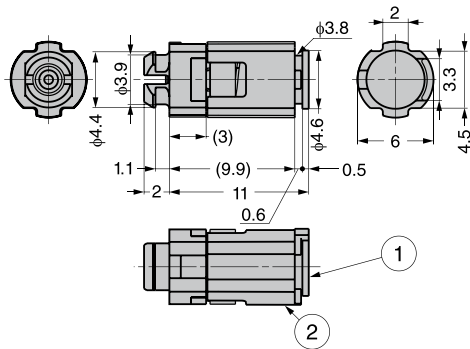
[Application Example]



No.	Part Name	Material	Finish / Colour
①	Spindle	Steel	Coloured Zinc Chromate
②	Body	POM	Grey

RoHS	CAD	Item Code	Item Name	Opening Angle	Weight (g)	Box (pcs)
		170-098-727	MPH-22G	160°	0.62	4000

MICRO DETENT HINGE MPH-30 High Torque Type



- Ultra compact detent hinge suitable for clamshell type cell phones, PDA and other foldable devices.
- With the torque of a single hinge equal to that of two conventional hinges, you can design various casings as there is no need for hinge space on the other side.
- Designed for 160° opening, and detent catch in open and closed position.
- Easy snap-in for quick assembly.

[Applications]

- Cell phone, PDA, remote control, gaming device, etc.

[Remarks]

- For clamshell type cell phones, with weight up to 55g when using one hinge.
- The boundary between the movable side and fixed side of casing shall be set near the hinge centre.
- For more details, please contact local representatives.



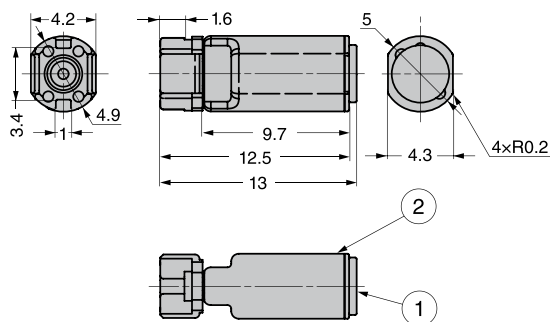
[Application Example]



No.	Part Name	Material	Finish
①	Spindle	Steel	Clear Zinc Chromate
②	Body	POM	Black

RoHS	CAD	Item Code	Item Name	Opening Angle	Weight (g)	Box (pcs)
		170-090-024	MPH-30	160°	0.98	4000

MICRO DETENT HINGE MPH-30-5TN High Torque Type



- Ultra compact detent hinge suitable for clamshell type cell phones, PDA and other foldable devices.
- With the torque of a single hinge equal to that of two conventional hinges, you can design various casings as there is no need for hinge space on the other side.
- Small outer diameter of $\phi 5$ realises space-saving and downsizing of casing.
- Designed for 160° opening, and detent catch in open and closed position.

[Applications]

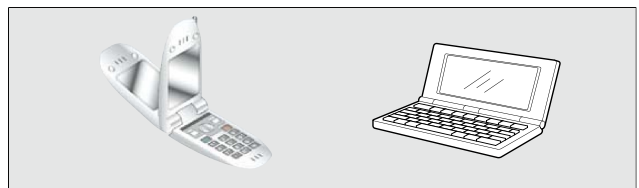
- Cell phone, PDA, remote control, gaming device, etc.

[Remarks]

- For clamshell type cell phones, with weight up to 55g when using one hinge.
- The boundary between the movable side and fixed side of casing shall be set near the hinge centre.
- For more details, please contact local representatives.



[Application Example]



No.	Part Name	Material	Finish
①	Spindle	Steel	Nickel
②	Body	Stainless Steel	-

RoHS	CAD	Item Code	Item Name	Opening Angle	Weight (g)	Box (pcs)
		170-097-888	MPH-30-5TN	160°	0.86	4000

※The item will be discontinued after current stock is sold out.

TORQUE HINGES

DAMPER HINGES

LIFT ASSIST HINGES

DETENT HINGES

CONCEALED HINGES

BUTT HINGES

PIANO HINGES

STEP HINGES

LIFT-OFF HINGES

PIVOT HINGES

SPRING HINGES

CLEAN ROOM HINGES

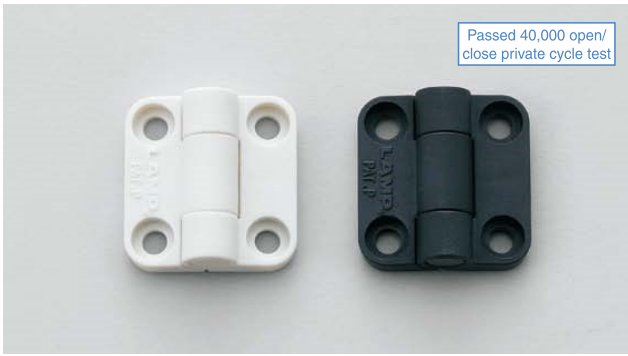
HINGES FOR ALUMINIUM FRAME

DROP HINGES

GLASS DOOR HINGES

SPECIAL HINGES

DETENT HINGE HG-MPS2



- Holds at 3 positions: -10°, 120° and 170°.
- Can be used horizontally or vertically.

[Applications]

- Small and light doors of medical equipment, measuring equipment, analytical equipment, etc.

[Remarks]

- Additional stopper is recommended at 0° (fully closed) and 170° (fully opened).
- For indoor use only. Not suitable for wet applications.
- Do not use impact screwdriver for mounting.

[Recommended Screws]

- Pan head screw M4 or pan head tapping screw 4

Video Link



TORQUE HINGES

DAMPER HINGES

LIFT ASSIST HINGES

DETENT HINGES

CONCEALED HINGES

BUTT HINGES

PIANO HINGES

STEP HINGES

LIFT-OFF HINGES

PIVOT HINGES

SPRING HINGES

CLEAN ROOM HINGES

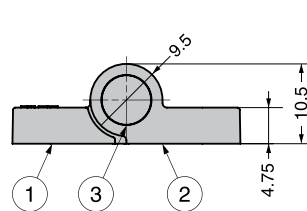
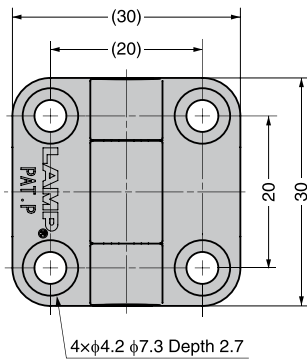
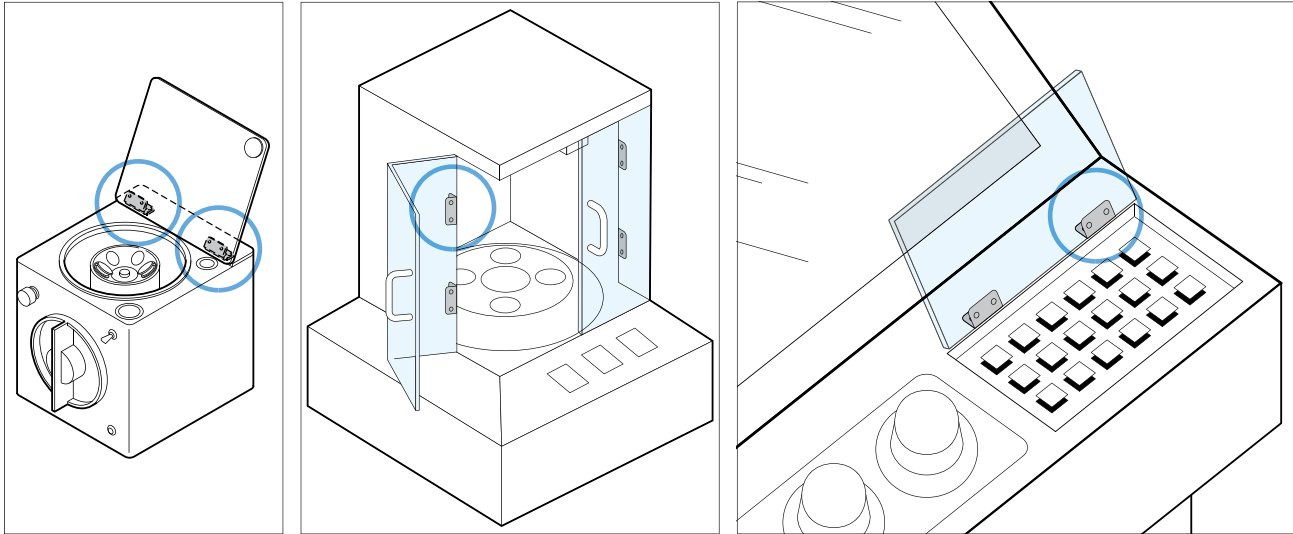
HINGES FOR ALUMINIUM FRAME

DROP HINGES

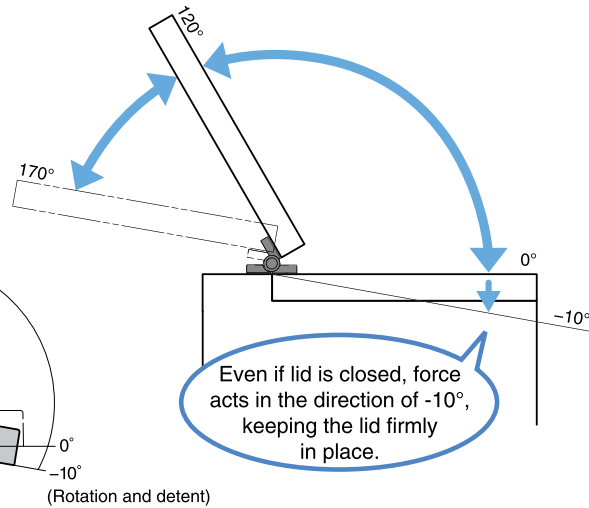
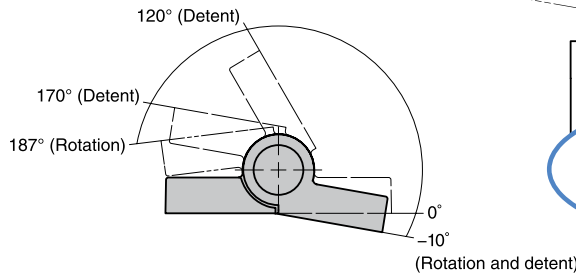
GLASS DOOR HINGES

SPECIAL HINGES

[Installation]



[Rotation and Detent Angle]



[Criterion of Door or Lid Size] Using 2 pcs vertically

Width	Height	Weight
Max. 370	Max. 460	Max. 1.0kg

When using horizontally, design the door and lid sizes not to exceed the following torque.

No.	Part Name	Material	Colour
①	Fixed Bracket	PBT	Black (BL), White (WT)
②	Movable Bracket		
③	Cap	ABS	

RoHS	CAD	Item Code	Item Name	Colour	Retaining Torque -10°, 170°		Retaining Torque 120°		Weight (g)	Box (pcs)	Carton (pcs)
					N·m/pc	kgf·cm/pc	N·m/pc	kgf·cm/pc			
✓	3D	170-023-908	HG-MPS2-BL	Black	0.26	2.65	0.145	1.48	6.9	50	500
✓	3D	170-023-909	HG-MPS2-WT	White							

DETENT HINGE HG-YJ50

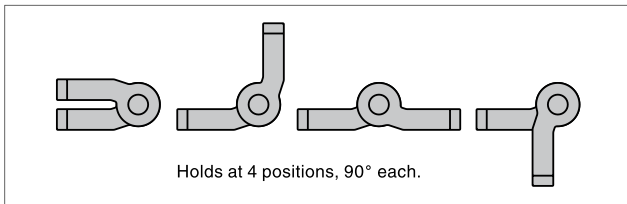


With cap.

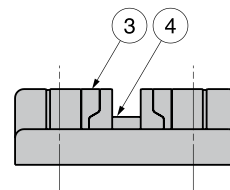
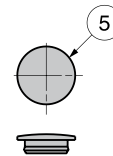
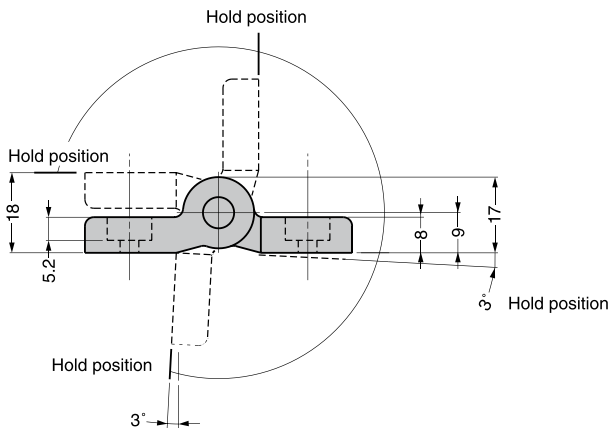
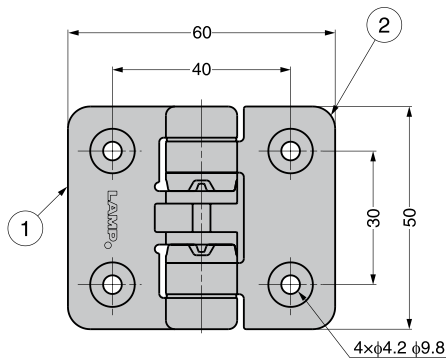
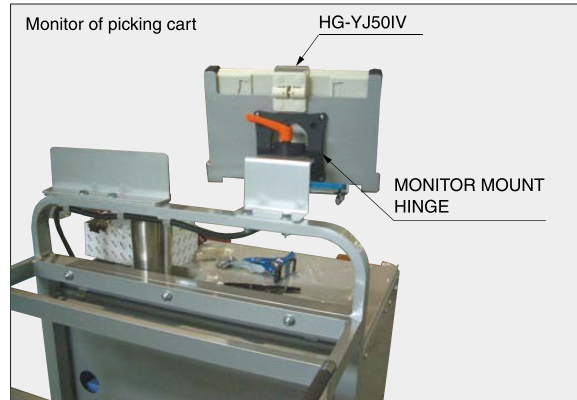
- Holds at 4 positions, 90° each.
- Lightweight plastic hinge.
- Plastic parts and metal parts can be separated for easy recycling.
- Caps for the screw holes are included. Caps (Ivory: KD-772-3I, Black: KD-772-3B) also available separately. **1**

[Applications]

- Plastic doors or small metal doors of medical equipment, measuring equipment, food machinery, etc.



[Application Example]



No.	Part Name	Material	Finish / Colour
①	Body A	POM	Emboss/Ivory (IV), Black (BL)
②	Body B		
③	Stopper Plate	PA	
④	Shaft	Stainless Steel (SUS303)	-
⑤	Cap (included)	PP	Emboss/Ivory (IV), Black (BL)

[Criterion of Door Size] using 2 pcs vertically for plastic doors

Width	Height	Weight
Max. 400	Max. 500	Max. 1.2kg

RoHS	CAD	Item Code	Item Name	Colour	Retaining Torque N·m/pc	Retaining Torque kgf·cm/pc	Weight (g)	Box (pcs)	Carton (pcs)
		170-090-000	HG-YJ50IV	Ivory	Approx. 0.49	Approx. 5	30	20	200
		170-090-002	HG-YJ50BL	Black				20	200

Refer to **1** : P.881

TORQUE HINGES

DAMPER HINGES

LIFT ASSIST HINGES

DETENT HINGES

CONCEALED HINGES

BUTT HINGES

PIANO HINGES

STEP HINGES

LIFT-OFF HINGES

PIVOT HINGES

SPRING HINGES

CLEAN ROOM HINGES

HINGES FOR ALUMINIUM FRAME

DROP HINGES

GLASS DOOR HINGES

SPECIAL HINGES

DETENT HINGE HG-FH128



- Holds doors at 60° and 120°.
- Depth and horizontal adjustment can also be made after installation.
- Covers for the screw holes are included.
- Fluororesin washer at rotation part ensures smooth operation.

[Applications]

- Environmental test equipment, laboratory equipment, etc.

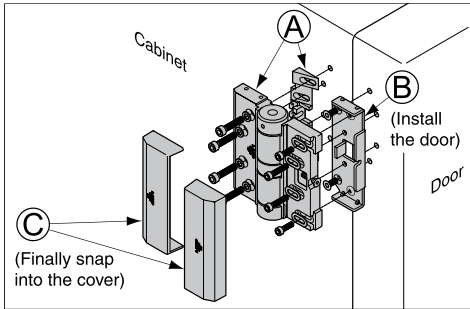
[Parts Included]

- Hexagon socket head cap screw M6×25 (SUS)
- Hexagon socket head cap screw M5×25 (SUS)
- Hexagon socket countersunk head screw M5×14 (SUS)
- Oval washer for M5 (SUS)
- Washer 6 (SUS)

Video Link

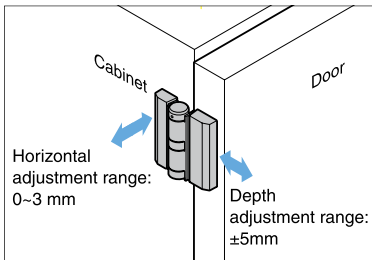


[How to Install (Screws Included)]

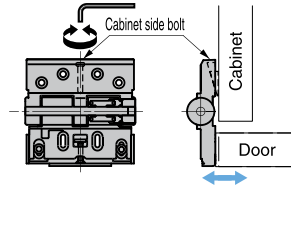


Install by steps (A) ~ (C)

[How to Adjust Position (With Cover Removed)]

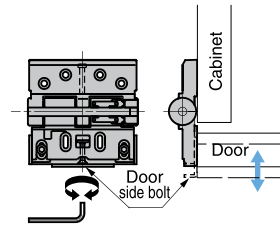


Horizontal adjustment

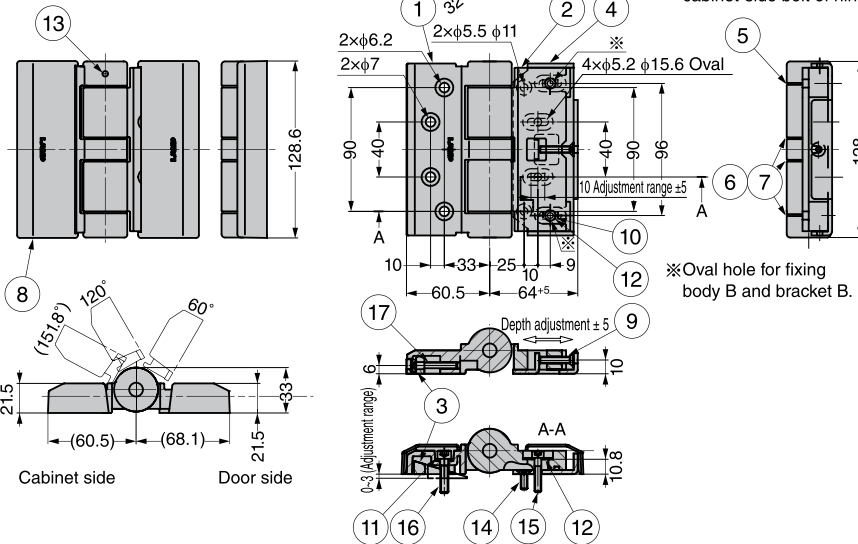


Horizontal adjustment of door can be made by rotating the cabinet-side bolt of hinge.

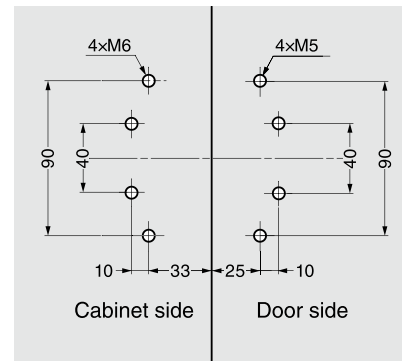
Depth adjustment



Depth adjustment of door can be made by rotating the door-side bolt of hinge.



[Cut Out Dimensions]

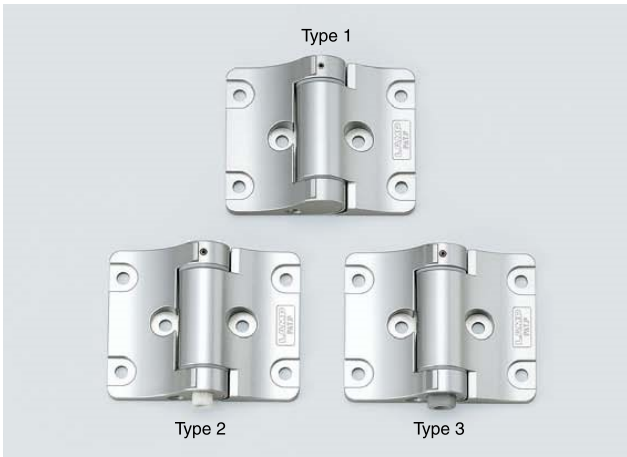


No.	Part Name	Material	Finish
①	Body A	Zinc Alloy (ZDC)	Dull Nickel + Clear Finish
②	Body B		
③	Bracket A		Nickel
④	Bracket B	Stainless Steel (SUS304)	Barrel Polished
⑤	Washer	PTFE	-
⑥		POM	
⑦		PS	
⑧	Cover	AES	Metallic Silver Paint

No.	Part Name	Material	Finish
⑨	Hexagon Socket Countersunk Head Screw M5 × 25	Stainless Steel	-
⑩	Hexagon Socket Head Cap Screw M5 × 12		
⑪	Washers 6		
⑫	Oval Washer for M5		
⑬	Spring Pin 4 × 32		
⑭	Hexagon Socket Countersunk Head Screw M5 × 14		
⑮	Hexagon Socket Head Cap Screw M5 × 25		
⑯	Hexagon Socket Head Cap Screw M6 × 25		
⑰	Hexagon Socket Low Head Screw M5 × 30		

RoHS	CAD	Item Code	Item Name	Door Width	Door Height	Door Weight kg/Pair	Retaining Torque N·m/Pair	Retaining Torque kgf·m/Pair	Weight (g)	Box (pcs)	Carton (pcs)
Compliant	3D	170-090-317	HG-FH128	600-900	900-1200	Max. 40	10	102	1500	1	6

DETENT HINGE HG-CSH63 DIGEST



- Detent at both of 0° and 100°.
- Also available without damper type.
- Damper works clockwise or counterclockwise.
- Be sure to read the "Cautions" 1 .

Selection Tool
Sasuga-kun
 Applicable Products
 Used for Product Selection & Simulation.
 Available on Web!

TORQUE HINGES

DAMPER HINGES

LIFT ASSIST HINGES

DETENT HINGES

CONCEALED HINGES

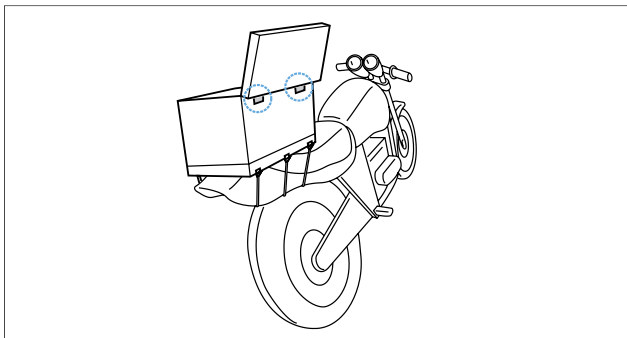
BUTT HINGES

PIANO HINGES

STEP HINGES

LIFT-OFF HINGES

[Installation]



Refer to 1 : P.15

DETENT HINGE HG-YC105

SUS



- Holds door open without secondary support.
- Easy installation and no damage to mounting surface with integrated back cover.

[Applications]

- Motorcycle carrying box, control box, etc.

[Remarks]

- Retaining torque varies. Not guaranteed value.
- Confirm with actual item before use.



PIVOT HINGES

SPRING HINGES

CLEAN ROOM HINGES

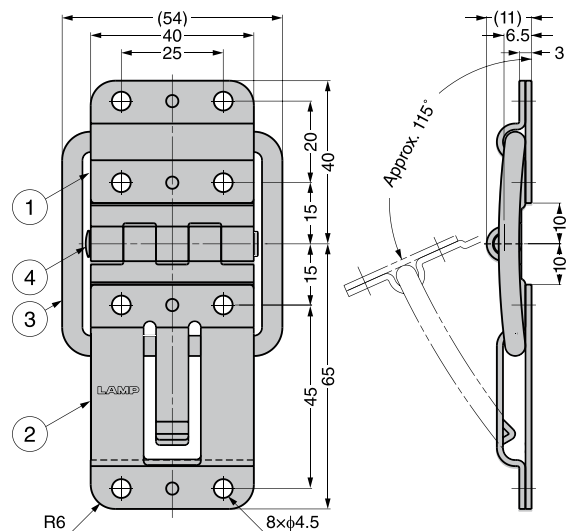
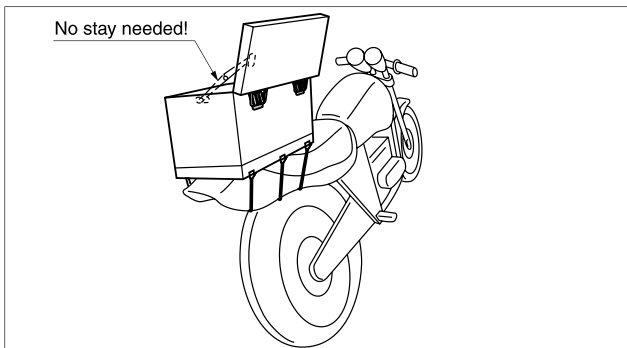
HINGES FOR ALUMINIUM FRAME

DROP HINGES

GLASS DOOR HINGES

SPECIAL HINGES

[Application Example]

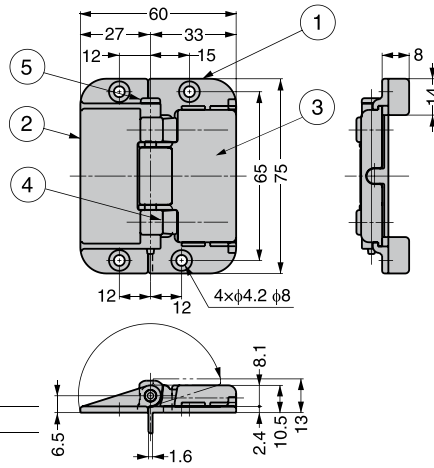


No.	Part Name	Material	Finish
①	Body (Fixed Side)	Stainless Steel (SUS304)	Barrel Polished
②	Body (Movable Side)		
③	Stopper		-
④	Shaft		

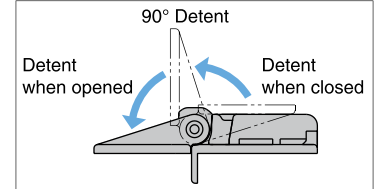
RoHS	CAD	Item Code	Item Name	Retaining Torque N·m/pc	Retaining Torque kgf·m/pc	Weight (g)	Box (pcs)	Carton (pcs)
		170-099-093	HG-YC105	Approx. 1.18	Approx. 12	122	10	100



CENTRE HINGE CH-75



- Cam and slide latch provide a detent function in opened and closed positions.
- Cushion function absorbs impact at full opening and unexpected external force.
- Removable hinge pin allows easy installation.
- AS Parts Set for installing to aluminium frame also available. Please contact local representative for more details.



No.	Part Name	Material	Finish / Colour
①	Body A	Zinc Alloy	Nickel (NI), Bronze (GB)
②	Body B	ZDC	Brown
③	Holder	POM	Black
④	Latch		Lubricant Coating/Black
⑤	Hinge Pin	Steel (SWCH)	

RoHS	CAD	Item Code	Item Name	Finish	Weight (g)	Box (pcs)	Carton (pcs)
-	3D	250-129-208	CH-75-NI	Nickel	101	42	168
-	3D	250-120-031	CH-75-GB	Bronze	99	42	168

RATCHET HINGE WITH FRICTION HG-RCT12-C



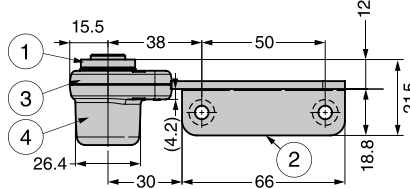
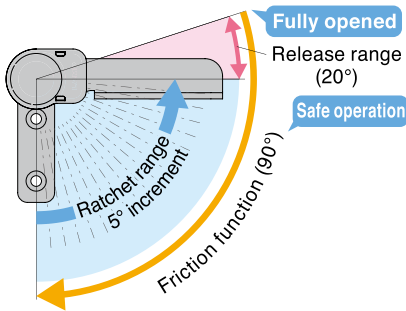
- Ratchet mechanism holds at angles in 5° increment from closed to opened position.
- Lift up to the fully open position to release the ratchet mechanism.
- The friction (resistance) function works even when released for safe operation.

[Applications]

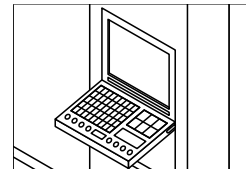
- For angle adjustment of folding table, touch panel, keyboard, etc.

[Remarks]

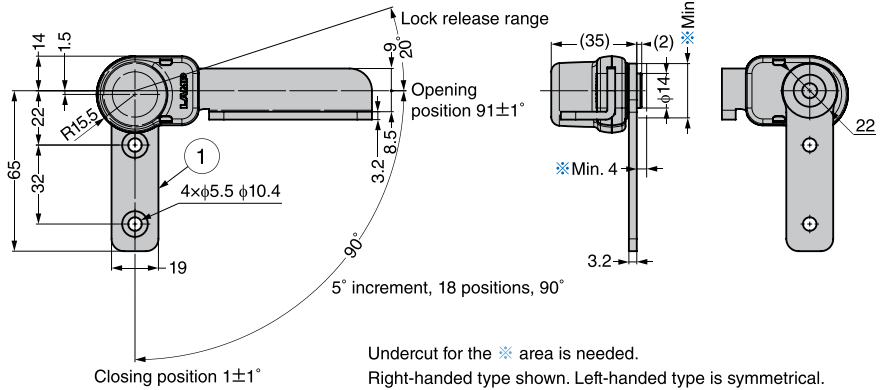
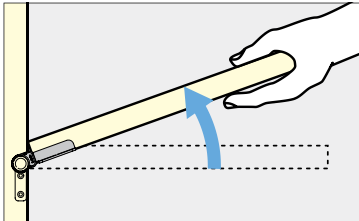
- Use in pairs.
- Ensure the cabinet has enough rigidity. Otherwise, the ratchet mechanism may not function.
- When the mounting width of hinge is more than 400mm, the ratchet mechanisms may not work simultaneously on the left and right.



[Application Example]



[Lock Release]



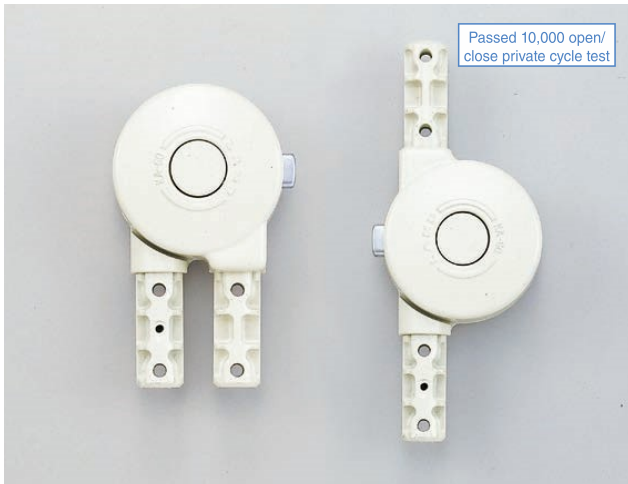
Undercut for the ※ area is needed.
Right-handed type shown. Left-handed type is symmetrical.

No.	Part Name	Material	Finish
①	Bracket	Steel (SPCC)	Nickel
②	Arm (Right-handed)		
③	Cover (Right-handed)	PC	-
④	Cover (Right-handed)		

RoHS	CAD	Item Code	Item Name	Allowable Moment N·m/pair	Allowable Moment kgf·cm/pair	Weight (g)	Box (pairs)	Carton (pairs)
-	3D	170-036-333	HG-RCT12-C	40	408	350	8	32

MULTI ANGLE STAY KA-60 With Locking Mechanism

INSTRUCTION

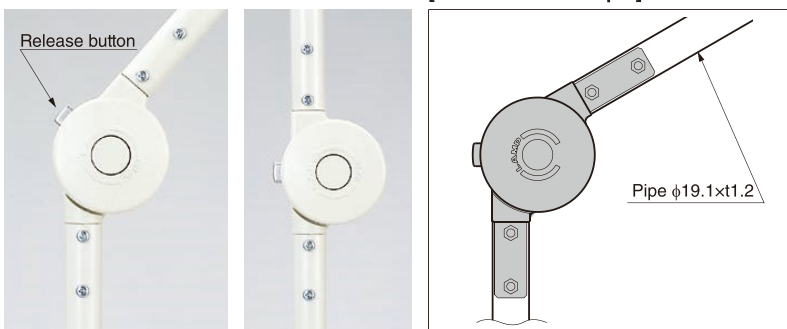


- Angle adjustment and locking is realised by simple button operation. Suitable for pipe joints for which angle adjustment is required.
- Angle can be adjusted from 0° ~180° by 10° increment.
- Completely locked when your hands are off the release button.

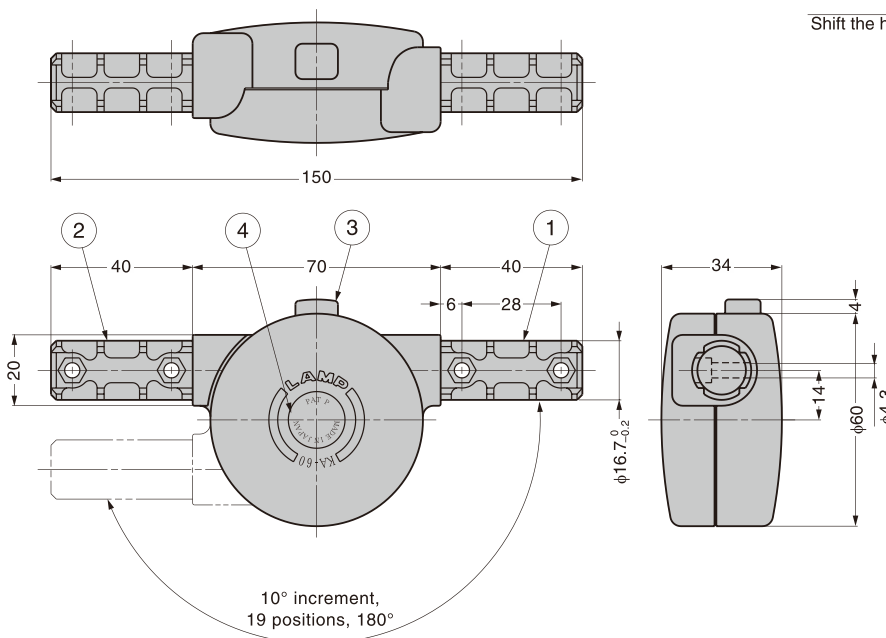
[Remarks]

- Do not forcibly apply force in the locked position.
- Pipe not included.

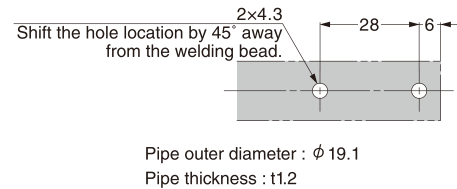
[Installation Example]



After releasing the lock by pushing the button, angle can be adjusted every 10° .



[Pipe Cut Out Dimensions]



No.	Part Name	Material	Finish
①	Body A	Aluminium Alloy	Enamel Finish/Ivory
②	Body B		
③	Release Button		Chrome
④	Cap	ABS	Black

RoHS	CAD	Item Code	Item Name	Pipe	Load Capacity N·m/pc	Load Capacity kgf·m/pc	Weight (g)	Box (pcs)	Carton (pcs)
-	SD	170-890-570	KA-60	φ 19.1×1.2	25	2.5	170	6	60

TORQUE HINGES

DAMPER HINGES

LIFT ASSIST HINGES

DETENT HINGES

CONCEALED HINGES

BUTT HINGES

PIANO HINGES

STEP HINGES

LIFT-OFF HINGES

PIVOT HINGES

SPRING HINGES

CLEAN ROOM HINGES

HINGES FOR ALUMINIUM FRAME

DROP HINGES

GLASS DOOR HINGES

SPECIAL HINGES