

# CATALOG CODE

SJ - 200 - X.XXX - XX - XX

**TORQUE Nm**  
0.20S - SYMMETRIC  
0.40S - SYMMETRIC

**SHAFT END**  
01 - EXTERNAL M4

**MOUNTING TYPE**  
01 - COUNTERBORE

## NOTES:


1. USER MUST DETERMINE FITNESS FOR USE IN APPLICATION.
2. DYNAMIC TORQUE AND PART NUMBERS SEE PAGE 2.
3. ENVIRONMENTAL CONDITIONS: -20° TO +80°C. UP TO 10% OF LIFE CYCLES AT HOT AND COLD CONDITIONS.
4. LIFE CYCLE: 50,000 TOTAL ADJUSTMENTS. ONE ADJUSTMENT EQUALS MOVEMENT IN ANY DIRECTION UP TO FULL TRAVEL, OR 90° MAX WHEN DUTY CYCLE IS LESS THAN 10% AND SPEED IS LESS THAN 60 RPM.
5. PART MARKED WITH DATE (MOYR) AND TORQUE ORDER NUMBER.  
EXAMPLE: 0418  
0.20S
6. MATERIAL:  
COVER AND BASE: ENGINEERED PLASTIC  
SHAFT: NITRIDED STEEL  
BALL AND TORQUE ELEMENT: HARDENED STEEL  
LUBRICANT: MINERAL OIL BASED
7. SHAFT TO COVER ANGLE NOT CONTROLLED.
8. MAX BENDING MOMENT ON SHAFT = 2.8 Nm [25 LB-IN].

SPECIFICATION SUBJECT TO CHANGE

INTERPRET PRINT PER ASME Y14.5M-1994  
THIS PRINT IS THE CONFIDENTIAL PROPERTY OF REELL PRECISION MFG.

THIRD ANGLE PROJECTION

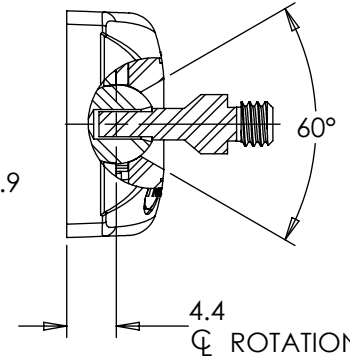
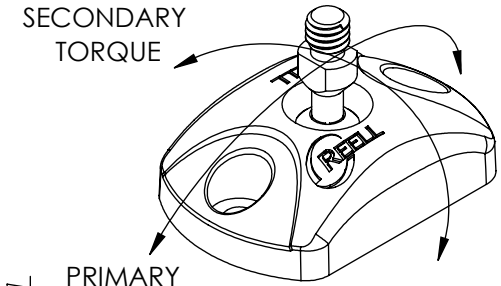
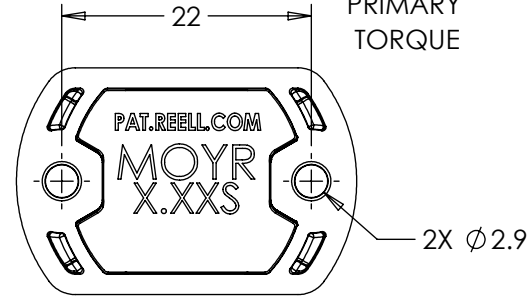
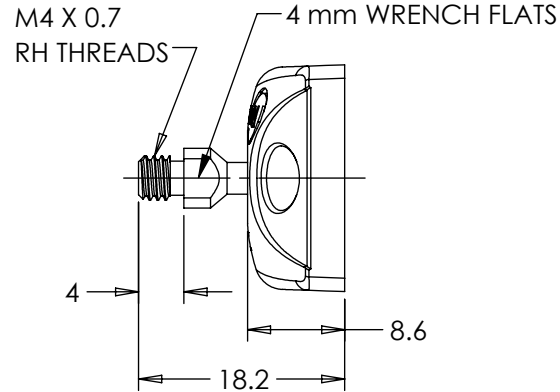
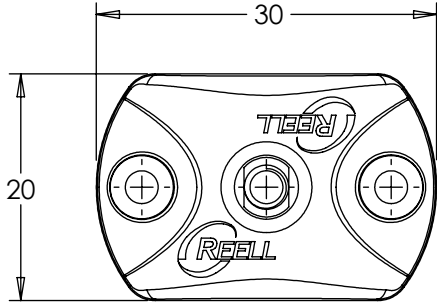


LEVEL	DESCRIPTION		DRAWN	DATE	APPROVED
DRAWN:	TDJ	DATE: 11MAY17	PART NO:		
CHECKED:	TDJ	DATE: 22MAY18	TITLE:		
APPROVED:	TDJ	DATE: 22MAY18	SALES DRAWING		
REVISED:	19OCT20	DIMS: mm			
			REFERENCE: SJ-200		REV: B
REELL PRECISION MANUFACTURING 1259 WILLOW LAKE BOULEVARD SAINT PAUL, MINNESOTA 55110-5103, USA			SCALE: 1:1	DO NOT SCALE DRAWING	SHEET 1 OF 2

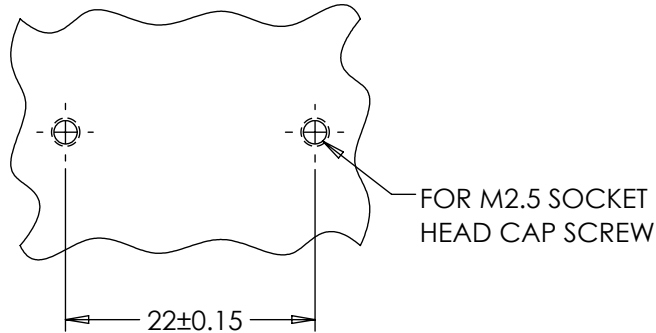
CATALOG CODE	DYNAMIC TORQUE								
	PRIMARY TORQUE		PRIMARY TORQUE TOLERANCE	SECONDARY TORQUE		SECONDARY TORQUE TOLERANCE	ROTATIONAL TORQUE		ROTATIONAL TORQUE TOLERANCE
	Nm	[LB-IN]		Nm	[LB-IN]		Nm	[LB-IN]	
SJ-200-0.20S-01-01	0.2	1.77	±30%	0.2	1.77	±30%	0.3	2.66	±30%
SJ-200-0.40S-01-01	0.4	3.54	±30%	0.4	3.54	±30%	0.6	5.32	±30%

PRODUCT TORQUE SPECIFICATION AT +20°C.

# SJ - 200 - X.XXS -01 -01



## CUSTOMER MOUNTING CONFIGURATION



SPECIFICATION SUBJECT TO CHANGE

ALL DIMENSIONS REFERENCE  
SEE CAD MODEL FOR UNSPECIFIED FEATURES

LEVEL	DESCRIPTION		DRAWN	DATE	APPROVED
DRAWN:	TDJ	DATE: 11MAY17	PART NO:		
CHECKED:	TDJ	DATE: 22MAY18	TITLE:		
APPROVED:	TDJ	DATE: 22MAY18	SALES DRAWING		
REVISED:	19OCT20	DIMS: mm			
INTERPRET PRINT PER ASME Y14.5M-1994 THIS PRINT IS THE CONFIDENTIAL PROPERTY OF REELL PRECISION MFG. THIRD ANGLE PROJECTION					REFERENCE: SJ-200 REV: B
REELL PRECISION MANUFACTURING 1259 WILLOW LAKE BOULEVARD SAINT PAUL, MINNESOTA 55110-5103, USA			SCALE: 1.5:1	DO NOT SCALE DRAWING	SHEET 2 OF 2