

- NOTES:
1. APPLICATION CONDITIONS REFERENCE USER MUST DETERMINE FITNESS FOR USE IN APPLICATION.
  2. LIFE: 25,000 CYCLES.  
ONE CYCLE = 120° OPEN/120° CLOSED.  
FIVE(5) CYCLES PER MINUTE MAX.
  3. MATERIAL:  
BRACKET AND SHAFT END ARE ENGINEERED PLASTIC  
SHAFT AND TORQUE ELEMENT ARE HARDENED STEEL
  4. TABS ON HINGE TO BE ALIGNED AS SHOWN ±5°.
  5. STATIC TORQUE IS NORMALLY WITHIN 10% OF DYNAMIC TORQUE.

# CATALOG CODE

## TI-120-X.XX-XX

TORQUE N-m
-0.25
-0.35
-0.50
-0.65
-0.80
-1.00
-1.20

FINS NO.
- 01
- 02

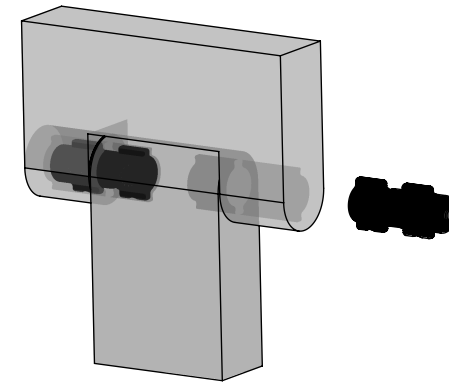
SPECIFICATIONS SUBJECT TO CHANGE


INTERPRET PRINT PER ASME Y14.5M-1994  
THIS PRINT IS THE CONFIDENTIAL PROPERTY OF REELL PRECISION MFG.  
THIRD ANGLE PROJECTION

LEVEL	DESCRIPTION	DRAWN	DATE	APPROVED
DRAWN: HMA	DATE: 17JAN13	PART NO.:		
CHECKED: STK	DATE: 01MAR13	TITLE:		
APPROVED: STK	DATE: 01MAR13	SALES DRAWING		
REVISED: 07MAY20	DIMS: mm			
		DESCRIPTION: TI-120		REV: N
		SCALE: 1:1	DO NOT SCALE DRAWING	SHEET 1 OF 5

REELL PRECISION MANUFACTURING  
1259 WILLOW LAKE BOULEVARD  
SAINT PAUL, MINNESOTA 55110-5103, USA

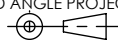
CATALOG CODE		TORQUE CODE	DYNAMIC TORQUE Nm
ONE FIN	TWO FIN		
TI-120-0.25-01	TI-120-0.25-02	2	0.25±0.11
TI-120-0.35-01	TI-120-0.35-02	3	0.35±0.12
TI-120-0.50-01	TI-120-0.50-02	4	0.50±0.13
TI-120-0.65-01	TI-120-0.65-02	6	0.65±0.13
TI-120-0.80-01	TI-120-0.80-02	8	0.80±0.16
TI-120-1.00-01	TI-120-1.00-02	10	1.00±0.20
TI-120-1.20-01	TI-120-1.20-02	12	1.20±0.24



LEVEL	DESCRIPTION		DRAWN	DATE	APPROVED
DRAWN:	HMA	DATE: 17JAN13	PART NO.:		
CHECKED:	STK	DATE: 01MAR13	TITLE:		
APPROVED:	STK	DATE: 01MAR13	SALES DRAWING		
REVISED:	07MAY20	DIMS: mm			
			DESCRIPTION:		REV:
			TI-120		N
SCALE: 1:2		DO NOT SCALE DRAWING		SHEET 2 OF 5	

INTERPRET PRINT PER  
ASME Y14.5M-1994  
THIS PRINT IS THE  
CONFIDENTIAL PROPERTY  
OF REELL PRECISION MFG.

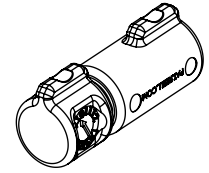
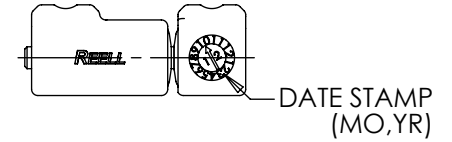
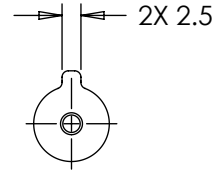
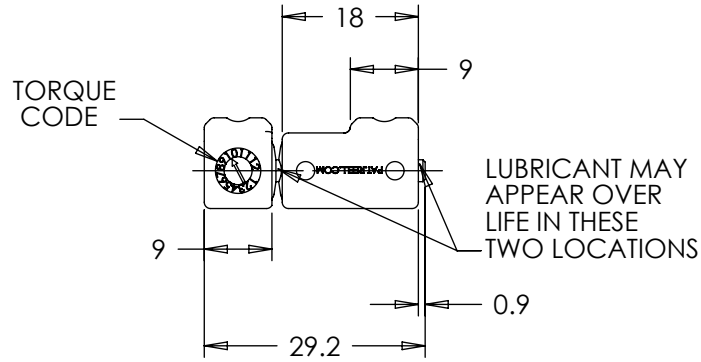
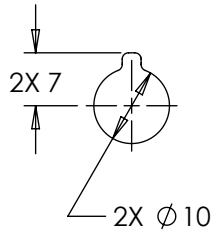
THIRD ANGLE PROJECTION



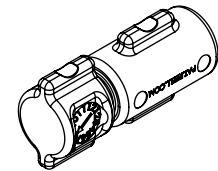
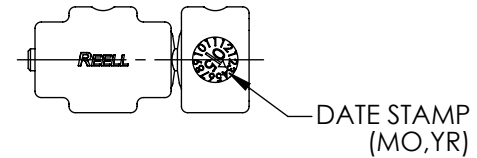
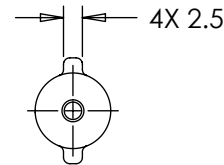
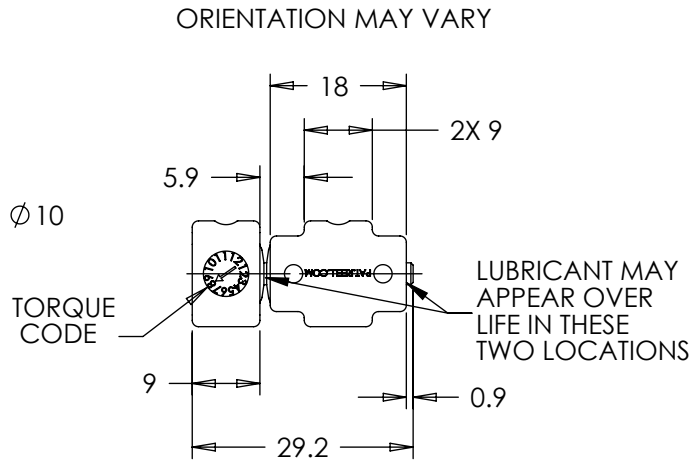
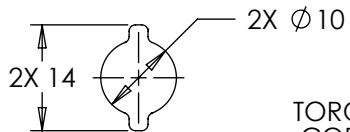
SPECIFICATIONS SUBJECT TO CHANGE

REELL PRECISION MANUFACTURING  
1259 WILLOW LAKE BOULEVARD  
SAINT PAUL, MINNESOTA 55110-5103, USA

# TI -120-X.XX-01



# TI -120-X.XX-02



ALL DIMENSIONS REFERENCE  
SEE CAD MODEL FOR UNSPECIFIED FEATURES.

SPECIFICATIONS SUBJECT TO CHANGE

LEVEL	DESCRIPTION		DRAWN	DATE	APPROVED
DRAWN:	HMA	DATE: 17JAN13	PART NO.:		
CHECKED:	STK	DATE: 01MAR13	TITLE:		
APPROVED:	STK	DATE: 01MAR13	SALES DRAWING		
REVISED:	07MAY20	DIMS: mm	DESCRIPTION: TI-120		
			N		
			SCALE: 1:1	DO NOT SCALE DRAWING	SHEET 3 OF 5

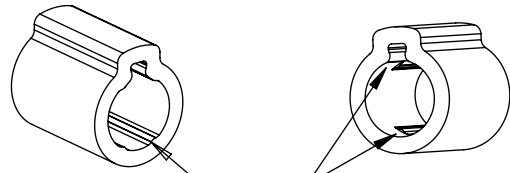
INTERPRET PRINT PER  
ASME Y14.5M-1994  
THIS PRINT IS THE  
CONFIDENTIAL PROPERTY  
OF REELL PRECISION MFG.  
THIRD ANGLE PROJECTION

REELL PRECISION MANUFACTURING  
1259 WILLOW LAKE BOULEVARD  
SAINT PAUL, MINNESOTA 55110-5103, USA

# TI -120-X.XX-01 MOUNTING RECOMMENDATION

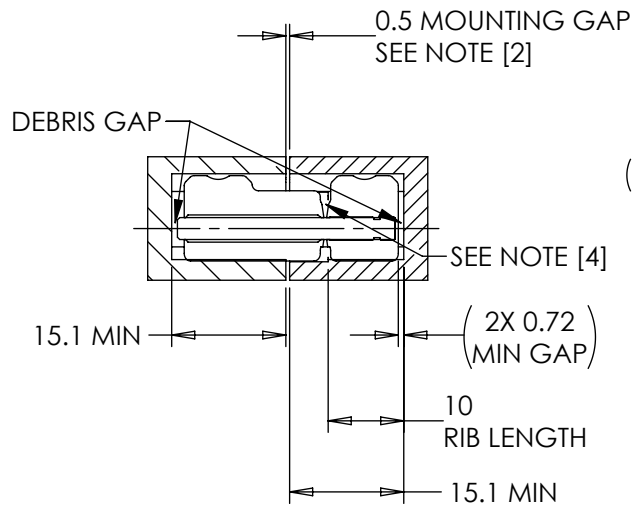
NOTES:

- [1] LOCATE MOUNTING GAP OVER HINGE BODY FOR ADDITIONAL SUPPORT.
- [2] GEOMETRY BETWEEN POINTS E & F CCW MAY VARY IF DESIRED (CUTTER RELIEF).
- [3] INSERT GAP MAY CHANGE DURING INSTALLATION.

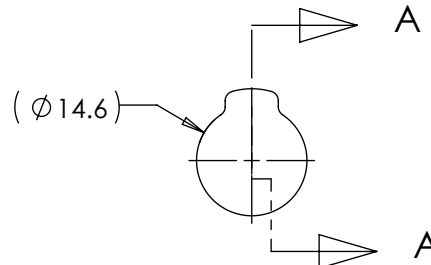


LONG SIDE OF INSERT  
ACCEPTS FULL  
LENGTH RIBS

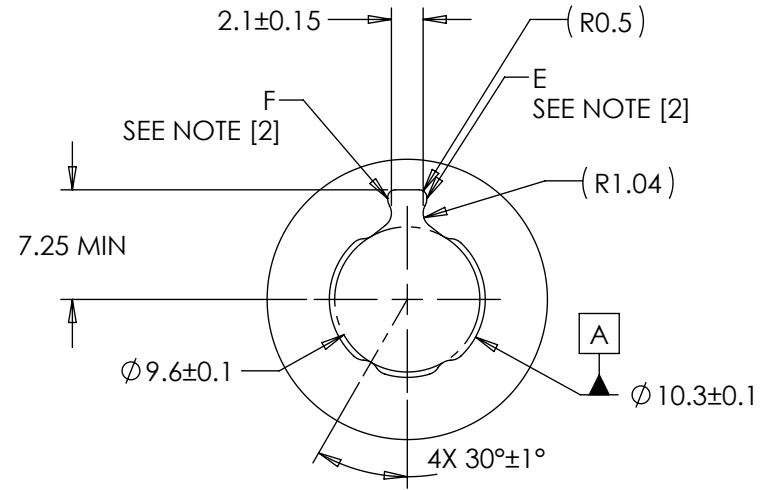
SHORT SIDE OF INSERT  
REQUIRES PARTIAL  
RIB LENGTH



SECTION A-A



## PRESS FIT PROFILE



SCALE 2 : 1

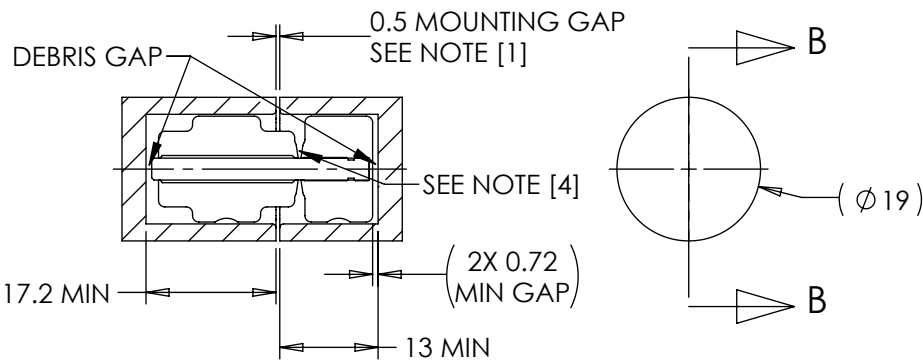
LEVEL	DESCRIPTION		DRAWN	DATE	APPROVED
DRAWN:	HMA	DATE: 17JAN13	PART NO.:		
CHECKED:	STK	DATE: 01MAR13	TITLE:		
APPROVED:	STK	DATE: 01MAR13	SALES DRAWING		
REVISED:	07MAY20	DIMS: mm			
INTERPRET PRINT PER ASME Y14.5M-1994 THIS PRINT IS THE CONFIDENTIAL PROPERTY OF REELL PRECISION MFG. THIRD ANGLE PROJECTION					REV: N
			REELL PRECISION MANUFACTURING 1259 WILLOW LAKE BOULEVARD SAINT PAUL, MINNESOTA 55110-5103, USA		DESCRIPTION: TI-120

SPECIFICATIONS SUBJECT TO CHANGE

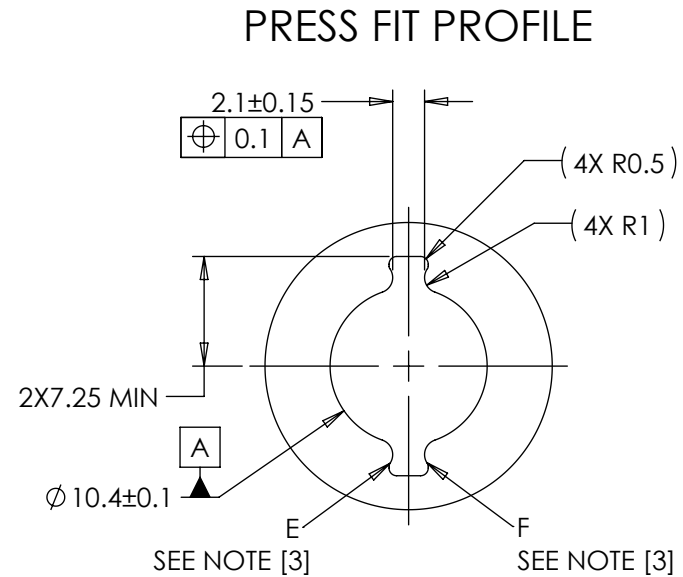
# TI -120-X.XX-02 MOUNTING RECOMMENDATION

## NOTES:

- [1] LOCATE MOUNTING GAP OVER HINGE BODY FOR ADDITIONAL SUPPORT.
2. TWO FIN TORQUE INSERTS CAN BE INSERTED EITHER ORIENTATION.
- [3] GEOMETRY BETWEEN POINTS E & F CCW MAY VARY IF DESIRED (CUTTER RELIEF).
- [4] INSERT GAP MAY CHANGE DURING INSTALLATION.



SECTION B-B



SCALE 2:1

LEVEL	DESCRIPTION		DRAWN	DATE	APPROVED
DRAWN:	HMA	DATE: 17JAN13	PART NO.:		
CHECKED:	STK	DATE: 01MAR13	TITLE:		
APPROVED:	STK	DATE: 01MAR13	SALES DRAWING		
REVISED:	07MAY20	DIMS: mm	DESCRIPTION: TI-120		
INTERPRET PRINT PER ASME Y14.5M-1994 THIS PRINT IS THE CONFIDENTIAL PROPERTY OF REELL PRECISION MFG.				REV: N	
THIRD ANGLE PROJECTION 		REELL PRECISION MANUFACTURING 1259 WILLOW LAKE BOULEVARD SAINT PAUL, MINNESOTA 55110-5103, USA		SCALE: 1:1	DO NOT SCALE DRAWING
					SHEET 5 OF 5

SPECIFICATIONS SUBJECT TO CHANGE