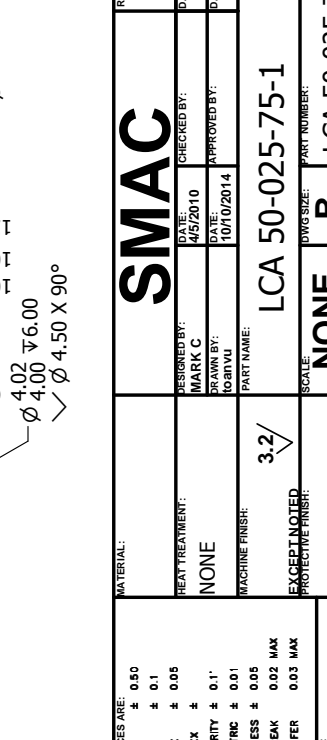
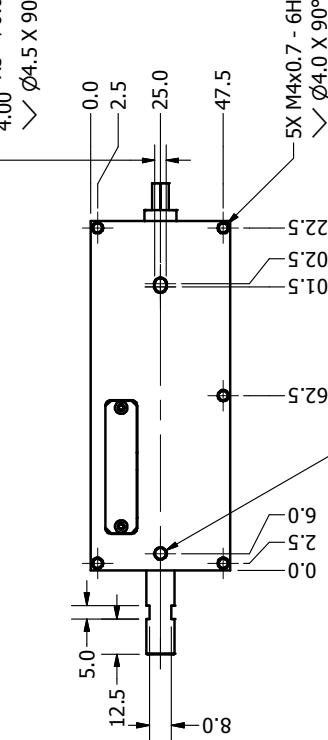
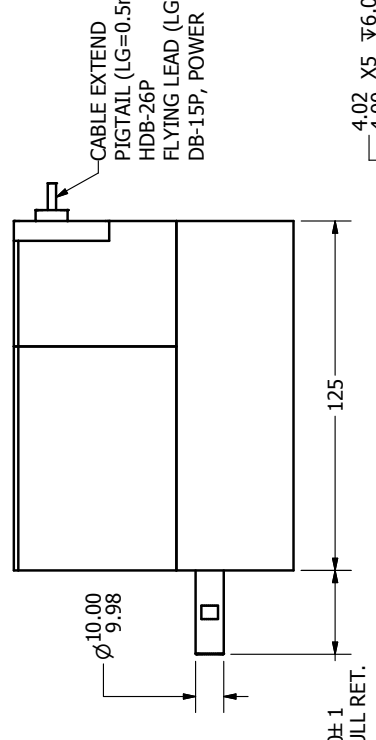


LINEAR SPECIFICATIONS:

LINEAR STROKE: 25 +1/-0 mm
 PEAK FORCE: 50 N (48V@1.5A)
 FORCE CONSTANT: 40 N/A@48V
 COIL RESISTANCE: 32.8
 INDUCTANCE: 81.7 mH
 ENCODER RESOLUTION: 5,1,0,1 μm
 ENCODER REPEATABILITY: ± 4 ENC. COUNTS
 MOVING MASS: 0.335 kg
 TOTAL MASS: 2.157 kg
 OPERATING TEMPERATURE: 0°C TO 65°C
 ALL DIMENSIONS ARE IN mm

REVISION HISTORY			
REV	DATE	DESCRIPTION	APPROVED
A1	5/14/2010	4640 NEW RELEASE	MAC
C	10/6/11	M4 THD HOLES	MAC
C	10/10/14	5491 NEW PART #	



1 2 3 4

PIN	FUNCTION
1	PH. A+
2	PH. Z+
3	PH. B+
4	+5V
5	NC
6	NC
7	NC
8	NC
9	PH. A-
10	PH. B-
11	5V RTN
12	5V RTN
13	5V RTN
14	COIL +
15	COIL -
16	NC
17	NC
18	NC
19	+5VDC
20	5V RTN
21	(AXIS 1) COIL +
22	(AXIS 1) COIL -
23	(AXIS 1) COIL +
24	(AXIS 1) COIL -
25	NC
26	NC

DB 26P PINOUT	
1	(AXIS 1) PH. A+
2	(AXIS 1) PH. B+
3	(AXIS 1) PH. Z+
4	NC
5	NC
6	5V RTN
7	NC
8	NC
9	NC
10	(AXIS 1) PH. A-
11	(AXIS 1) PH. B-
12	(AXIS 1) PH. Z-
13	NC
14	NC
15	NC
16	NC
17	NC
18	NC
19	+5VDC
20	5V RTN
21	(AXIS 1) COIL +
22	(AXIS 1) COIL -
23	(AXIS 1) COIL +
24	(AXIS 1) COIL -
25	NC
26	NC

DB-15P	
1	PH. A+
2	PH. Z+
3	PH. B+
4	+5V
5	NC
6	NC
7	NC
8	NC
9	PH. A-
10	PH. Z-
11	PH. B-
12	5V RTN
13	5V RTN
14	NC
15	NC

POWER	
Table	No
DETAIL	1
V RTN	2
+ V	3
COIL +	4
COIL -	4

TOLERANCES ARE:		MATERIAL:	
X. ± 0.50		LCA 50	
X.X ± 0.1		REF. NUMBER	
X.XX ± 0.05		LCA 50	
X.XXX ± 0.1*		CONTRACT:	
ANGULARITY ± 0.1*		LCA 50	
CONCENTRIC ± 0.1		DATE:	
ROUNDNESS ± 0.05		10/10/2014	
EDGE BREAK 0.02 MAX		DESIGNED BY:	
CHAMFER 0.03 MAX		MARK C	
FILE NAME: LCA50-025-75-1.dwg		DRAWN BY:	
		10/10/2014	
		PART NAME:	
		LCA 50-025-75-1	
		DWG SIZE:	
		B	
		PART NUMBER:	
		LCA 50-025-75-1	
		REVISION:	
		C	