

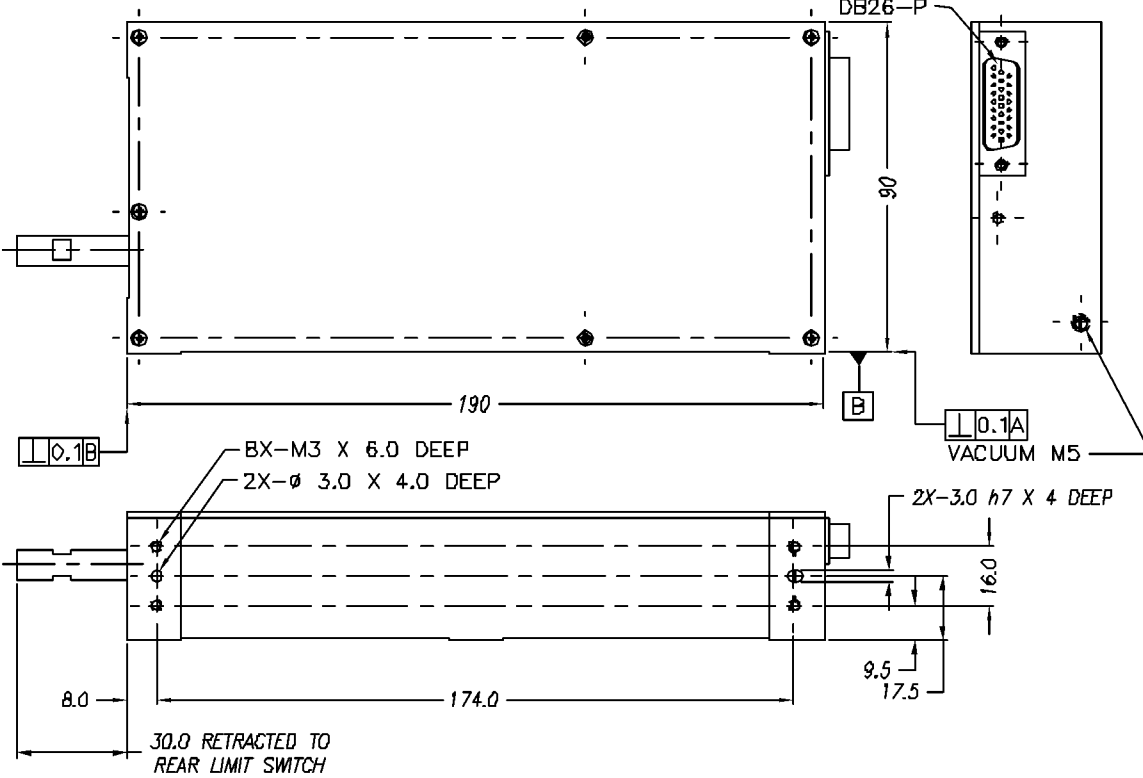
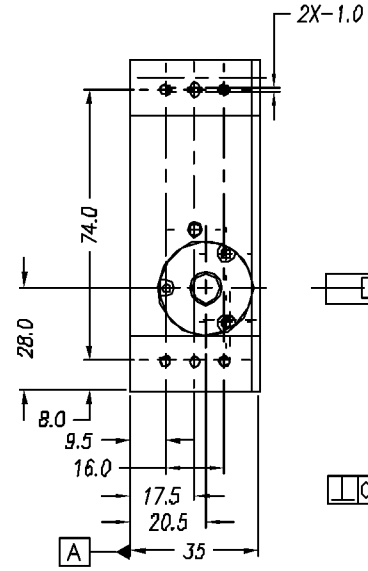
NOTES: (UNLESS OTHERWISE SPECIFIED)

- ALL DIMENSIONS ARE IN mm OTHERWISE NOTED.
- LINEAR SPECIFICATION:**
 LINEAR STROKE: 50.0 +1/-0 mm
 FORCE CONSTANT: 7.5 N/AMP
 PEAK FORCE: 10.5 N @ 1.6 AMPS (24 VDC)
 CONTINUE FORCE : 7.5 N @ 1.0 AMPS (24 VDC)
 COIL DC RESISTANCE: 13.3 OHMS @ 22°C
 ENCODER RESOLUTION: 0.5, 1.0, 5.0 Microns
 ENCODER ACCURACY: ±4 Microns
- THETA SPECIFICATION: (DIRECT OUTPUT SHAFT)**
 ROTATION ANGLE: 360°
 PEAK TORQUE: 77.8 mN.m (3.4 Amps , 24 VDC)
 CONTINUE TORQUE: 14.1 mN.m @ 0.5 Amp (24 DCV)
 MAXIMUM RPM : 5000 (WITH D LOAD & VACUUM)
 GEAR RATIO: NO (DIRECT DRIVE)
 ROTARY MOTOR TYPE: DC BRUSH (2342)
 ENCODER RESOLUTION: 14,400 CPR (MAX 50,000)
 ENCODER ACCURACY: ±5 COUNTS (ZERO BACK LASH)
- MOVING MASS: 290 GRAMS
- TOTAL MASS: 1350 GRAMS
- OPERATING TEMPERATURE: -10°C TO +65°C

SIGNATURE NEEDED FOR ORDER APPROVAL
 SIGN _____ DATE _____
 APPROVAL NOT RECEIVED WITHIN
 48 HOURS MAY AFFECT DELIVERY

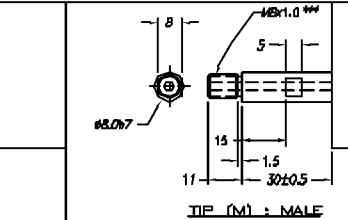
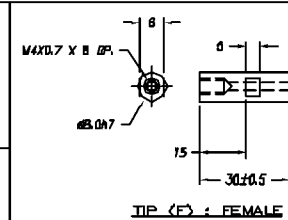
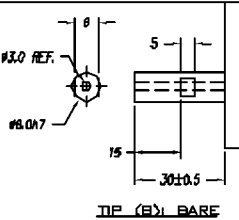
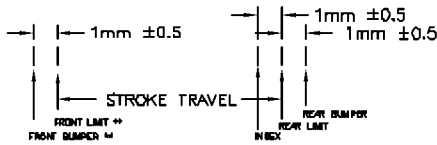
REVISIONS				
REV	DATE	ECN	DESCRIPTION	APP
F	10/13/04	3354	SEE ECN ***	CAW

REVISIONS				
REV	DATE	ECN	DESCRIPTION	APP
G	10/7/02	2608	INITIAL RELEASE	TWV
D	4/4/03	2744	SEE ECN	SMH
E	6/8/04	3208	SEE ECN **	CAW



DB-26P PINDOUT

1	(L) PH. A+
2	(L) PH. B+
3	(L) PH. Z+
4	NC
5	NC
6	1/2 Ø RTN
7	(R) PH. B+
8	(R) PH. A+
9	(R) PH. I+
10	(L) PH. A-
11	(L) PH. B-
12	(L) PH. Z-
13	NC/(R) HOME
14	LIMIT +
15	LIMIT -
16	(R) PH. B-
17	(R) PH. A-
18	(R) PH. I-
19	HOME
20	ØV RTN
21	(L) COIL +
22	(L) COIL -
23	(L) COIL +
24	(L) COIL -
25	(R) MOTOR -
26	(R) MOTOR +



TOLERANCES ARE:

X	± 0.50
XX	± 0.1
XXX	± 0.05
XXXX	± 0.01
ANGULARITY	± 0.1°
CONCENTRIC	± 0.01
ROUNDNESS	± 0.05
EDGE BREAK	0.2 MAX
CHAMFER	0.2 MAX

FILE NAME:
LAR35-050-5_F

MATERIAL:
ALUMINUM
6061-T6

HEAT TREAT:
RC
DEEP

MACHINE FINISH:
3.2

EXCEPT NOTED.

PROTECTIVE FINISH:
ELECTROLESS NICKEL

SPEC. NUMBER:

SMAC			REF. NUMBER	
			LAR35-050	
DESIGNED BY: TDAN VU	DATE: 09/09/02	CHECKED BY:	DATE:	CONTRACT: STD
DRAWN BY: S. HOONYMAN	DATE: 10/07/02	APPROVED BY:	DATE:	SHEET NUMBER: 1 of 1
PART NAME: LAR35-050-5			REVISION: F	
SCALE: NONE	DMG SIZE: B	PART NUMBER: LAR35-050-5		
DO NOT SCALE DWG				