

4

3

2

1

NOTES:
 1- MOTOR SUPPLIED AS TWO SEPERATE COMPONENTS, STATOR ASSEMBLY AND FIELD ASSEMBLY.
 2- FOR A C.C.W. ROTATION, AS VIEWED FROM LEAD END, ENERGIZE PER EXCITATION SEQUENCE TABLE.
 3- RoHS (DIRECTIVE 2002/95/EC AND AMENDMENTS) COMPLIANCE REQUIRED.

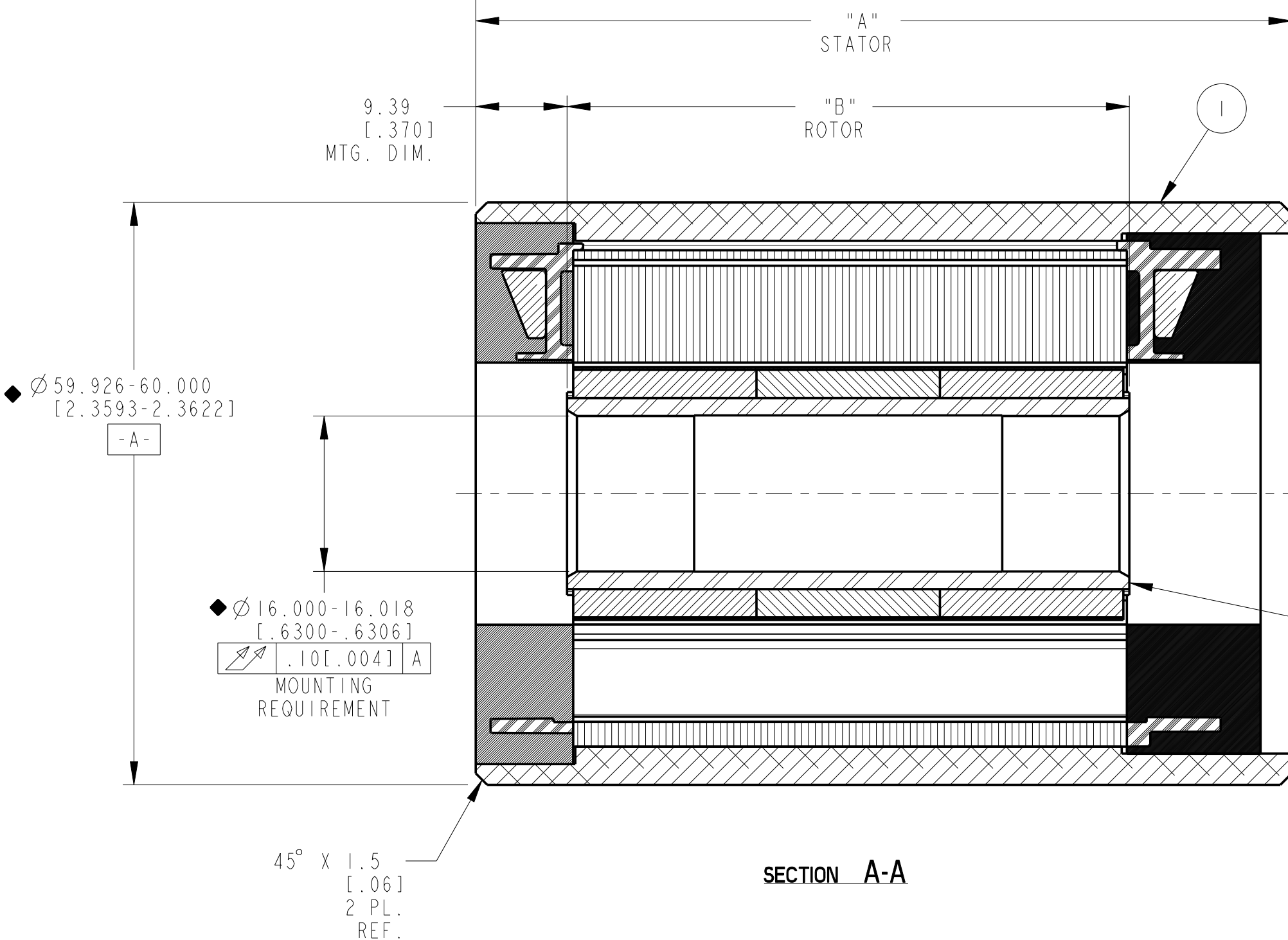
THERMISTOR LEADS:
 #26 AWG TEFLON COATED
 UL RATED 600V, 150°C MIN,
 400.00 [15.75"] MIN. LG.
 EACH 1-BLUE, 1-BLACK

MOTOR LEADS:
 #22 AWG TEFLON COATED PER
 UL 10086, 400.00 [15.75"] MIN. LG.
 EACH 1-BLUE, 1-BROWN, 1-VIOLET

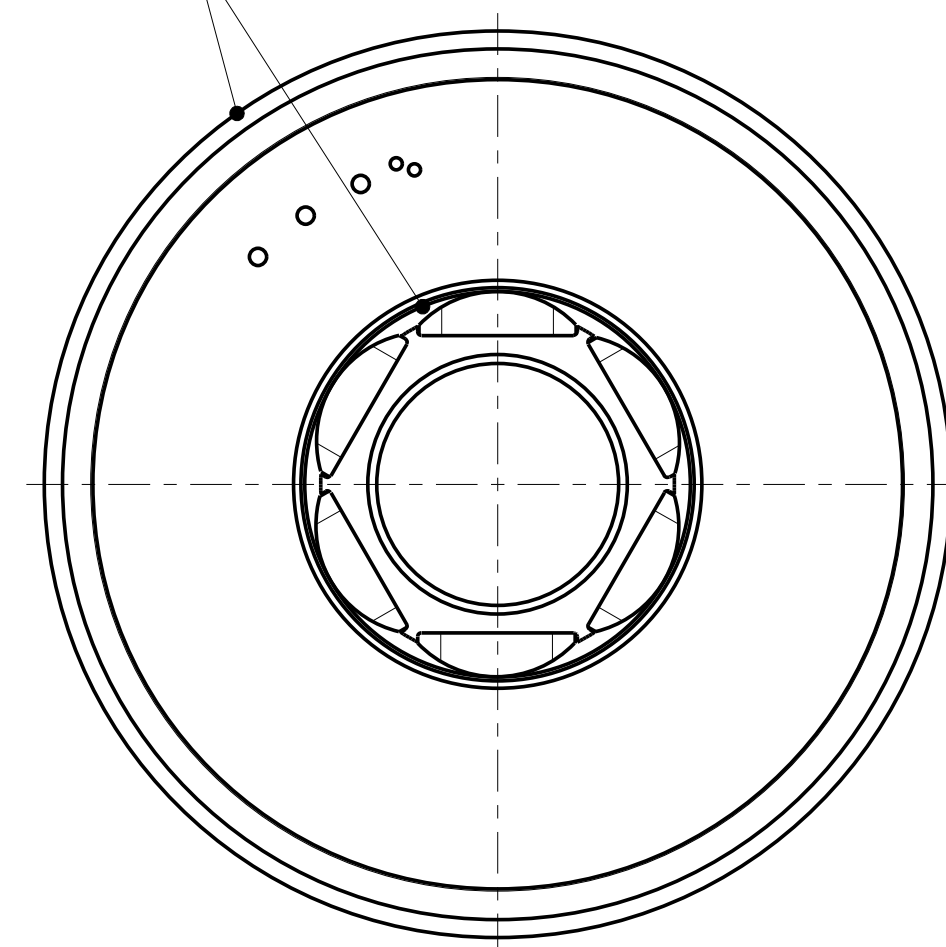
REVISION					
REV	ECN NO.	DESCRIPTION	DATE	APPROVED	
A	R01_14145	SEE ECO	L&T 20-Jan-11	LW	
B	R01_15266	SEE ECN	KLR 17-Jan-13	LW	
C	R01_15601	SEE ECO	ALM 8/12/13	KLR	

0.051 [0.002] A
 -B-

0.026 [0.0010] B



MARK O.D. WITH MODEL NO, SERIAL NO,
 FSCM NO. PER ITEM #3.



SECTION A-A

MODEL NUMBER	STATOR SEE BOM	FIELD ASSEMBLY	"A" DIM	"B" DIM
KBM-10X01	943915/01X	945191/01	46.00 [1.811]	20.14 [0.793]
KBM-10X02	943915/02X	945191/02	65.00 [2.559]	39.02 [1.536]
KBM-10X03	943915/03X	945191/03	84.00 [3.307]	57.89 [2.279]
KBM-10X04	943915/04X	945191/04	103.00 [4.055]	76.77 [3.022]

STEP	PHASE "U" BLUE	PHASE "V" BROWN	PHASE "W" VIOLET
1	+	-	
2	+		-
3		+	-
4	-	+	
5	-		+
6		-	+

EXCITATION SEQUENCE TABLE

THIS DOCUMENT IS ONLY FOR USE BY THE INTENDED RECIPIENT AND CONTAINS KOLLMORGEN CONFIDENTIAL INFORMATION

Pro/E Instance Name	KBM.10XXX.945481
Pro/E Drawing Name	945481
Pro/E Model Type	ASSEM
Pro/Engineer Drawing	

3	AR	IM-2709	MARKING PROCEDURE
2	I	SEE TABLE 1	FIELD ASSEMBLY
1	I	SEE TABLE 1	STATOR ASSEMBLY
ITEM	QTY	IDENTIFYING NO.	DESCRIPTION

LIST OF PARTS			
UNLESS OTHERWISE SPECIFIED: REMOVE ALL SHARP BURRS AND BREAK ALL SHARP EDGES X DECIMAL PLACES ±.4 [0.015] XX DECIMAL PLACES ±.13 [0.005] ANGULAR DIMENSIONS ±°		KOLLMORGEN Inland Motor	
DO NOT SCALE DRAWING. USE DIMENSIONS ONLY ALL DIMENSIONS ARE IN MILLIMETERS DIMENSIONS IN BRACKETS [] ARE IN INCHES AND ARE FOR REFERENCE ONLY.		INLAND MOTOR 501 FIRST STREET RADFORD, VIRGINIA 24141	
INTERPRET GEOMETRIC SYMBOLS PER ANSI Y14.5M-1982		OUTLINE AND ASSEMBLY KBM-10XXX-X00	
DATE: 20-Jan-09 DRAWN BY: HLW	DATE: 17-Sep-09 CHECKED BY: AG	FSCM 11384	SIZE DWG. NO. C 945481
DATE: 17-Sep-09 APPROVED BY: TKB	SCALE: 2:1	JOB NO.:	REV C
		SHEET 1 OF 1	

METRIC DRAWING

SIGNIFICANT PRODUCT CHARACTERISTIC
 CRITICAL PRODUCT CHARACTERISTIC



D

C

C

945481

A

4

3

2

1