

946239

REVISION					
REV	ECN NO.	DESCRIPTION	DATE	APPROVED	
A	RO1.14145	SEE ECO	LAT	20-Jan-11	LW
B	RO1.14436	SEE ECO	LAT	16-May-11	LW

- NOTES:
- FOR A CCW ROTATION, AS VIEWED FROM LEAD END, ENERGIZE PER EXCITATION SEQUENCE BELOW.
  - MOTOR SUPPLIED AS TWO SEPARATE COMPONENTS, ARMATURE & SENSOR ASSEMBLY AND FIELD ASSEMBLY.
  - R=1.5K OHMS APPROXIMATELY (CUSTOMER SUPPLIED).
  - EMF-UV, EMF-VW AND EMF-WU IS BACK EMF OF MOTOR PHASES UV, VW AND WU ALIGNED WITH SENSOR OUTPUT SHOWN FOR CCW ROTATION ONLY.
  - MINIMUM MOUNTING SURFACE FROM 318.77 [12.550] TO 331.47 [13.050] BOTH SIDES.
  - DIMENSIONS IN BRACKETS [ ] ARE ENGLISH UNITS FOR REFERENCE ONLY.
  - NO ANGULAR RELATIONSHIP BETWEEN MOUNTING HOLES ON EITHER SIDE OF ROTOR.
  - RoHS (DIRECTIVE 2002/95/EC AND AMENDMENTS) COMPLIANCE REQUIRED.

**MOTOR LEADS:**  
 #12 AWG, TEFLON INSULATED, U.L. 1199  
 3 LEADS, 400 MM [15.75"] MIN  
 1- BLUE 1- BROWN 1- VIOLET

**THERMISTOR LEADS:**  
 #26 AWG, TEFLON INSULATED  
 2 LEADS, 400 MM [15.75"] MIN  
 1- BLUE 1- RED

**SENSOR LEADS:**  
 #26 AWG, TEFLON COATED PER MIL-W-22759/11  
 5 LEADS, 400 MM [15.75"] MIN  
 1- BLUE 1- GREEN 1- BROWN 1- ORANGE 1- YELLOW

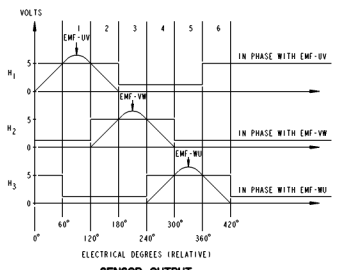
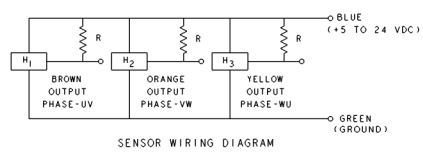
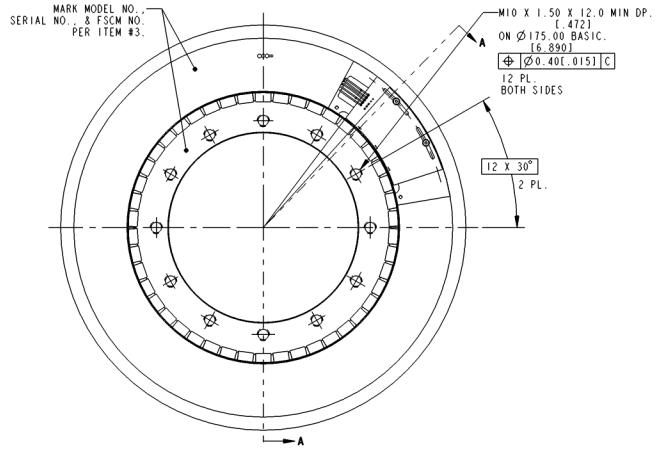
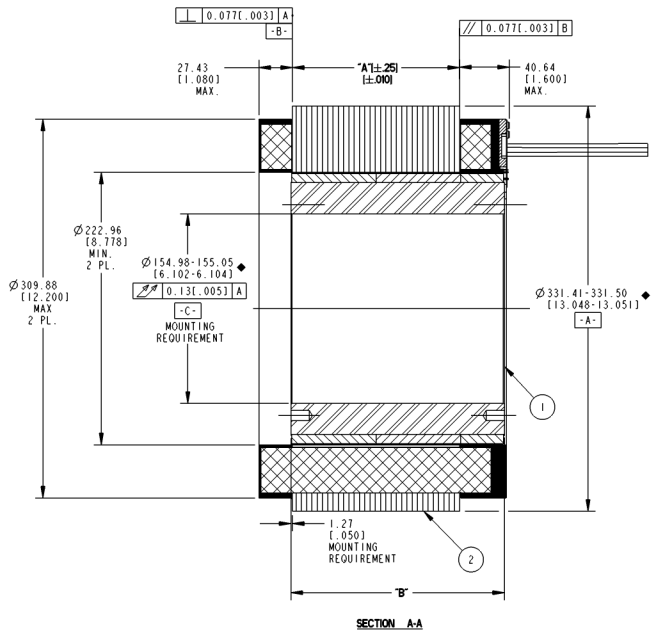


TABLE - 1

MODEL NUMBER	ARMATURE ASSY H.V. INSULATION	ARMATURE ASSY STD. INSULATION	FIELD ASSY	DIM "A"	DIM "B"
NBMS-88X00	946240/00X	946241/00X	946242/00	33.66 [1.325]	71.37 [2.810]
NBMS-88X01	946240/01X	946241/01X	946242/01	67.56 [2.660]	105.41 [4.150]
NBMS-88X02	946240/02X	946241/02X	946242/02	136.65 [5.380]	174.63 [6.875]
NBMS-88X03	946240/03X	946241/03X	946242/03	205.74 [8.100]	243.84 [9.600]

POWER CONNECTION

STEP	PHASE "U" BLUE	PHASE "V" BROWN	PHASE "W" VIOLET
1	○	○	○
2	○	○	○
3	○	○	○
4	○	○	○
5	○	○	○
6	○	○	○

EXCITATION SEQUENCE TABLE

3	AR	IM-2709	MARKING PROCEDURE
2	I	SEE TABLE	ARMATURE ASSY
1	I	SEE TABLE	FIELD ASSEMBLY
ITEM	QTY	IDENTIFYING NO.	DESCRIPTION
LIST OF PARTS			
UNLESS OTHERWISE SPECIFIED: REMOVE ALL SHARP BURRS AND BREAK ALL SHARP EDGES		RO1 MOTOR GEN	
X DECIMAL PLACES ± 4 (1.015)		Inland Motor	
XX DECIMAL PLACES ± 13 (1.005)		1400 WOOD ROAD, VIRGINIA 24141	
ANGULAR DIMENSIONS ± 1'		OUTLINE	
SIGNIFICANT PRODUCT CHARACTERISTIC		KBMS-88XXX-X00	
CRITICAL PRODUCT CHARACTERISTIC		FSCM 11384	
METRIC DRAWING		SIZE DWG. NO. 946239	
SCALE: 0 500		JOB NO.:	
SHEET 1 OF 1		REV B	

THIS DOCUMENT IS ONLY FOR USE BY THE INTENDED RECIPIENT AND CONTAINS KOLLMOERGEN CONFIDENTIAL INFORMATION

Print Instance Name: KOLLMORGEN\_946239  
 Print Drawing Name: 946239  
 Print Model Type: ASSEM  
 Pro/Engineer Drawing