



GEEPLUS

BRS6045G-6 (N-S MAGNET)

Device drawn with shaft aligned to mid position

Nominal Coil | Resistance 6Ω ,

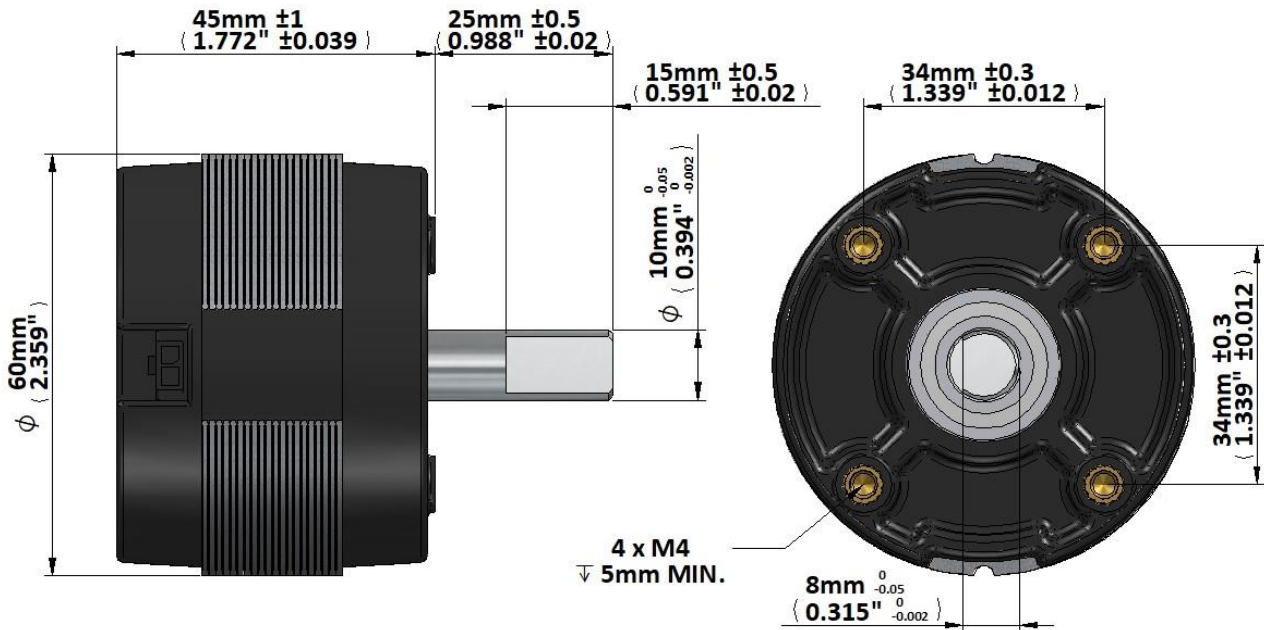
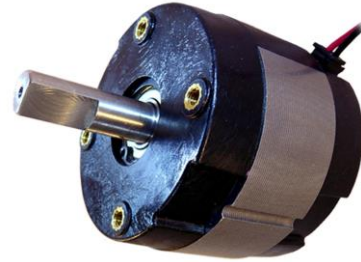
Rotor Inertia 42 gcm^2

Life Expectancy $>10\text{M}$ cycles, no load, 90° rotation

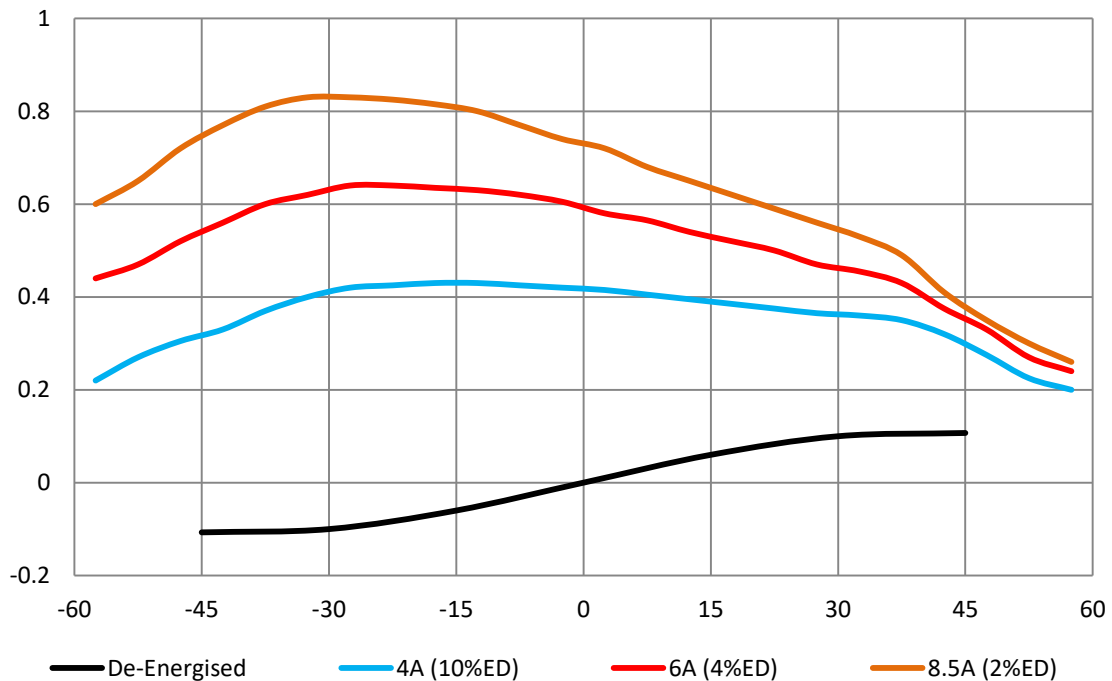
Connector compatible with Molex 43645-0200 connector

Leadsets are available, P/N MF3-2H-L ('L' is length in mm)

Mass 450 grammes



Torque (Nm) vs Angle



Geepus reserves the right to change specifications without notice

www.geepus.com