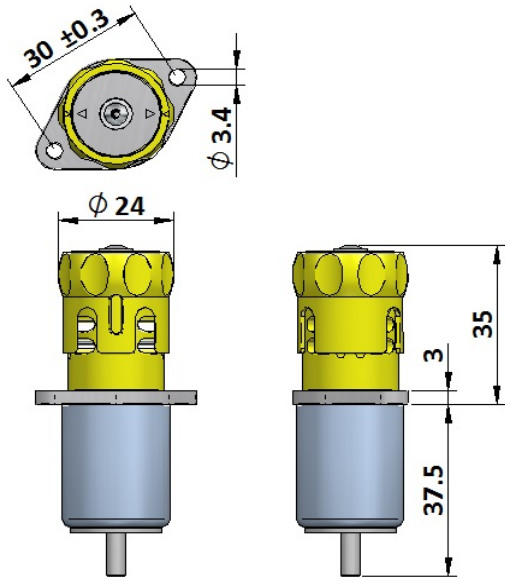
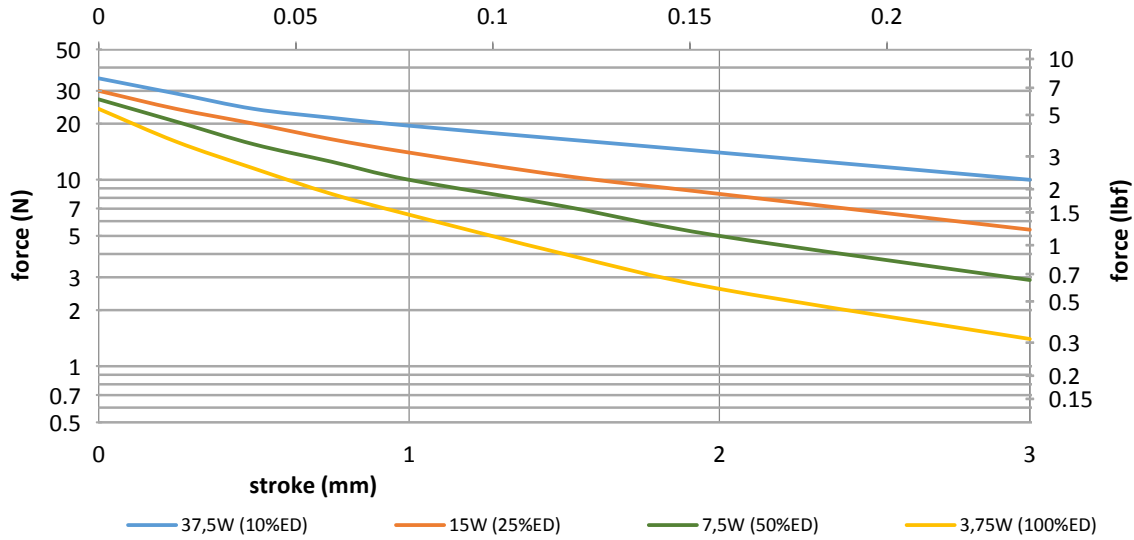




GEEPLUS Pinch Valve PV24-CO2-xN-yV



Solenoid force / stroke
stroke (inch)



Data at 20°C, without heatsink

duty cycle = $\frac{\text{"on" time}}{\text{"on" time} + \text{"off" time}} \times 100\%$		100% cont.	50% or less	25% or less	10% or less	
Max. "on" time in seconds		∞	100	36	7	
watts at 20°C		3.75	7.5	15	37.5	
ampere-turns at 20°		440	623	880	1393	
type no.	resistance	number of turns	volts DC			
	$\Omega \pm 10\%$ (at 20°C)					
3V	2.3	350	3.0	4.2	6.0	9.5
6V	10	750	6.0	8.5	12	19
12V	38	1460	12	17	24	38
24V	167	3060	24	34	48	76

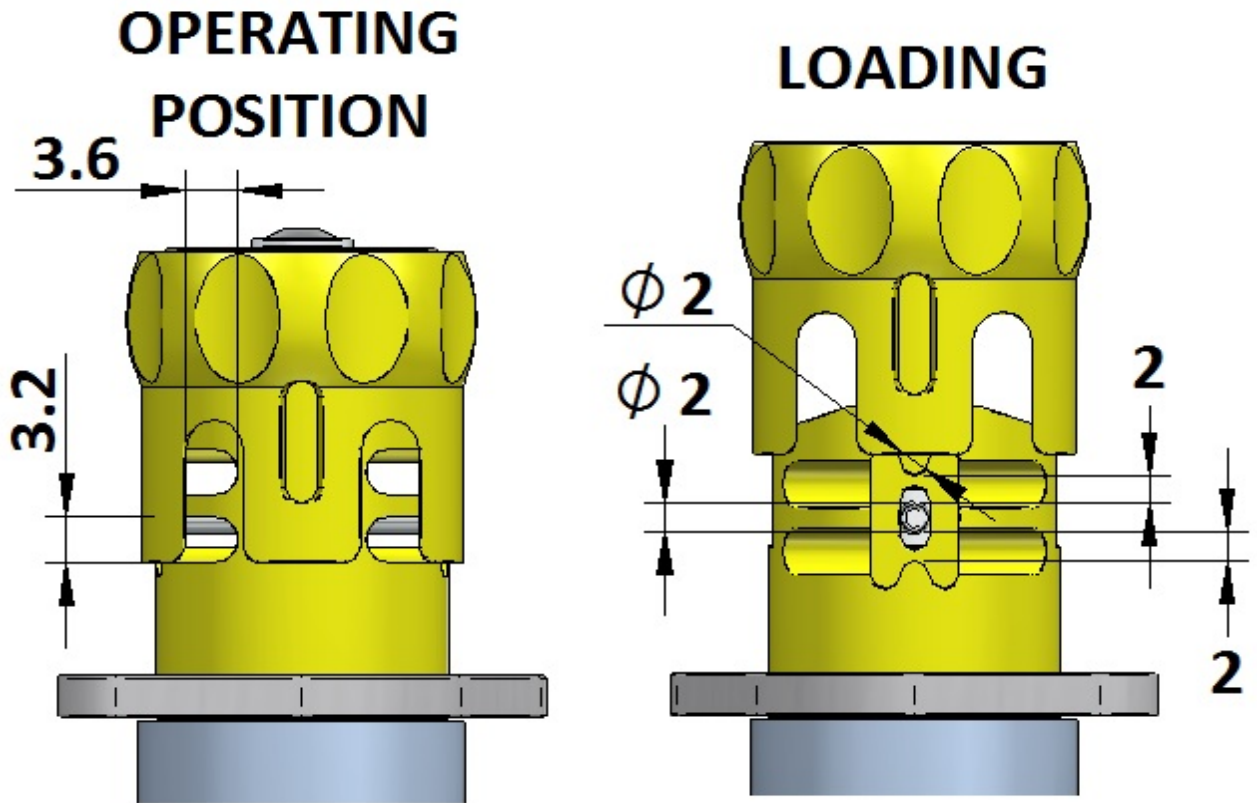
Insulation Resistance >100MΩ, 500VDC Megger
Class E (120°C) insulation class

Dielectric Strength 1000VAC, 50/60Hz, 1 minute

Geeplus reserves the right to change specifications without notice

www.geeplus.biz e-mail: info@geeplus.biz

Pinch Valve Parameters



Part Number for Pinch Valves is made up as follows

PV24-CO2-5N-6V

PV24	-	Pinch Valve & Nominal Diameter in mm
CO2	-	CO for changeover valve NC for normally closed valve NO for normally open valve
5N	-	1.....N number of channels of each type Spring force closing NC channel (shared between multiple channels)
6V	-	Nominal Operating Voltage of solenoid used (100% ED)