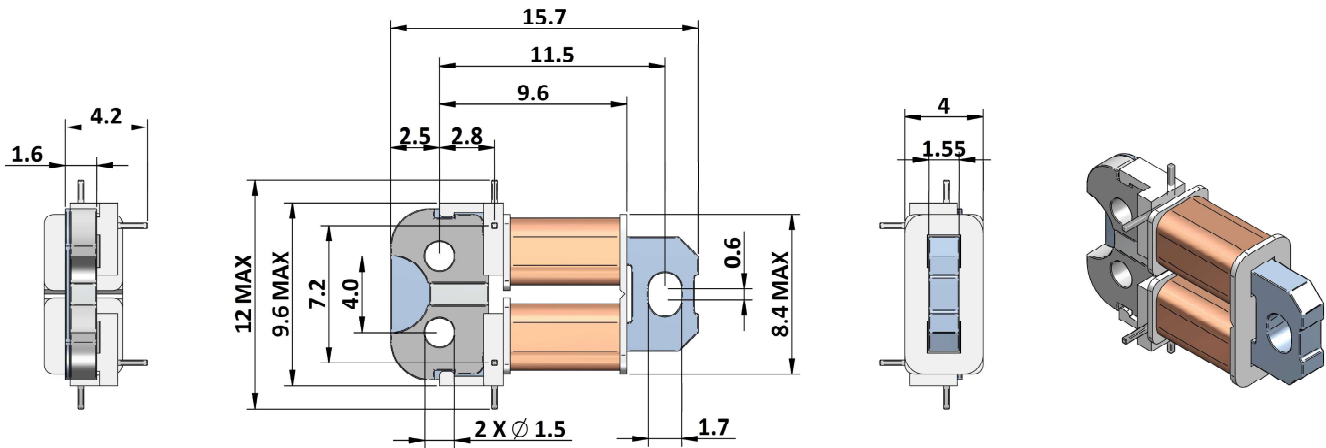


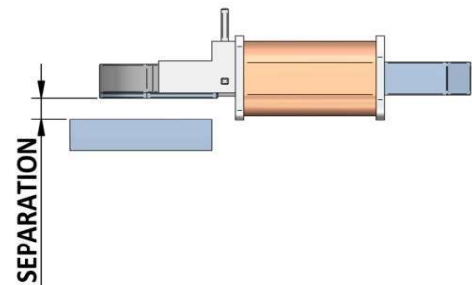
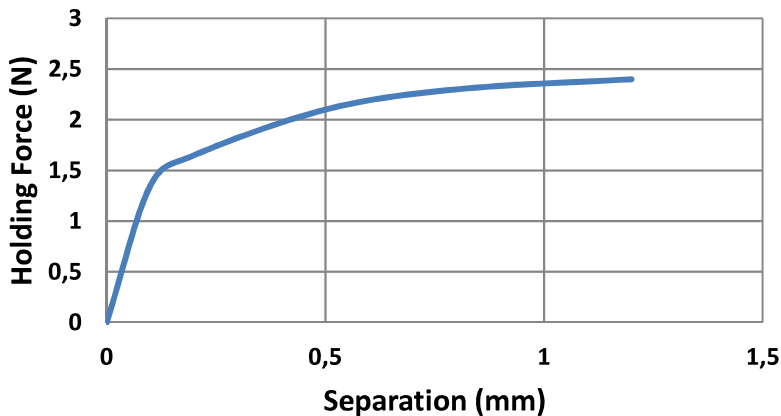
## General Specifications

Insulation Class	Class A (105°C)
Insulation Resistance >50MΩ, 500V DC	
Dielectric Strength 500V AC, 50/60 Hz, 1 minute	

Mass
HMER-307
0.1 grammes
Armature
0.00 grammes



Effect of ferromagnetic surface on Holding Force (HMER-307-9)



## Characteristics

Part Number	Rated Voltage	Operating Voltage Range	Coil Resistance	Holding Force (Min)	Release Force	Maximum Stroke
HMER-307-2	1.5 V	0.8 to 2.5 V	5.5 Ω	1.7 N	0.85 N	2.5 mm
HMER-307-9	5 V	3 to 6 V	30 Ω	2.2 N	0.8 N	2.5 mm
HMER-307-26	5 V	3.7 to 6.5 V	30 Ω	3.5 N	1.0 N	2.5 mm