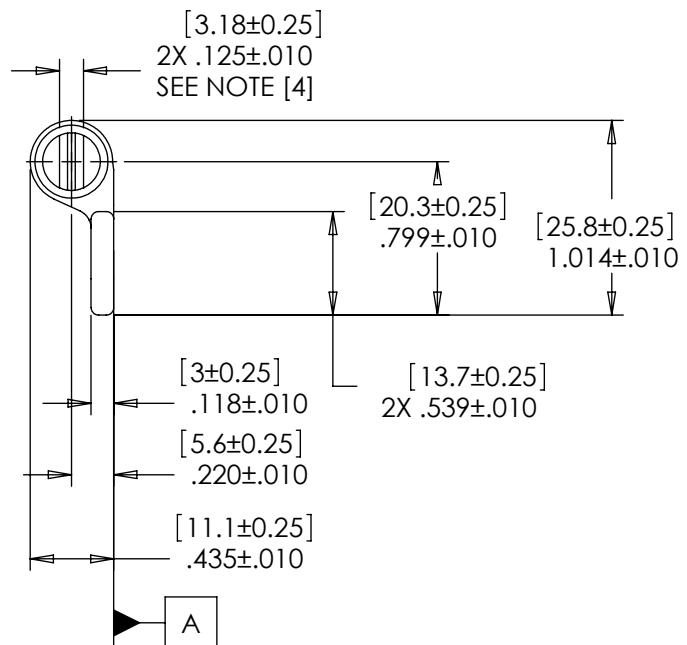
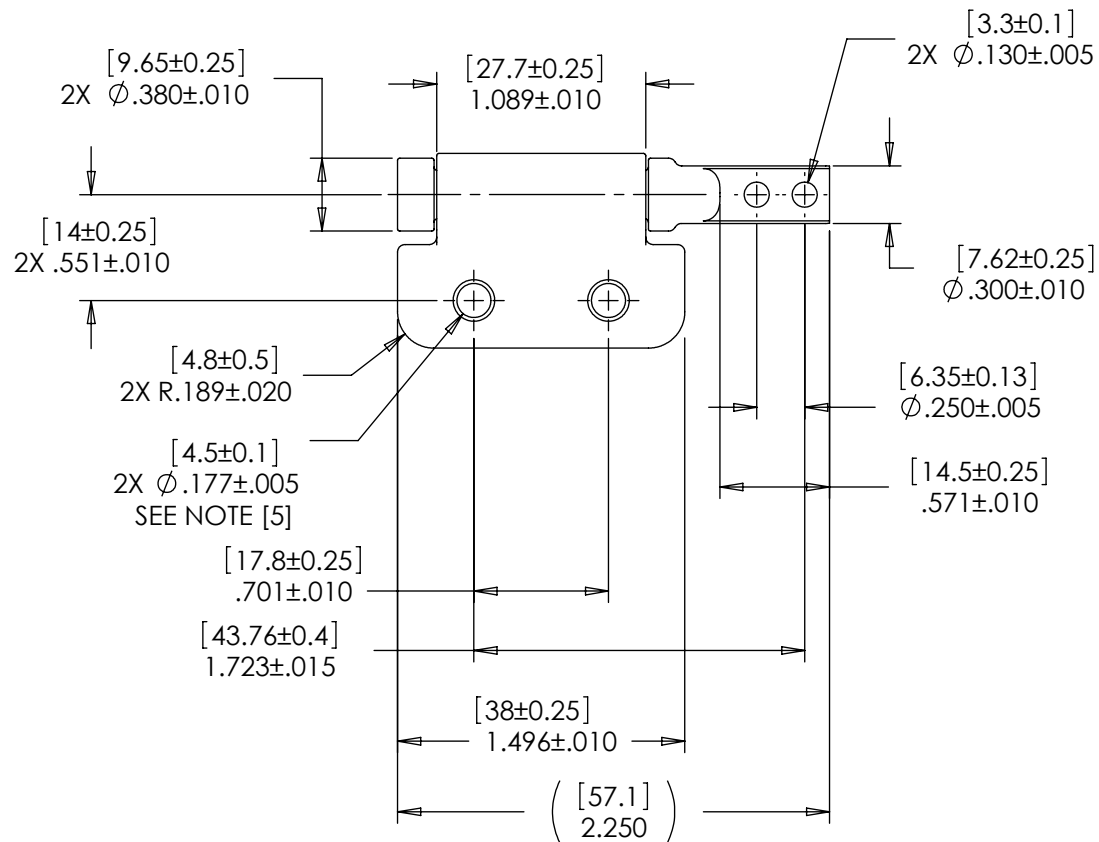
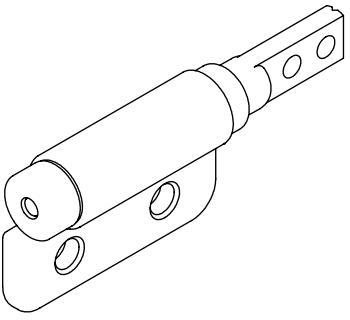


8 7 6 5 4 3 2 1

NOTES: 1.

| TORQUE | PLAIN | BLACK |
|----------------------|----------|----------|
| [INCHES] mm | PART NO. | PART NO. |
| [3.9] Lb-in 0.44 Nm | 34-054 | 34-154 |
| [6.9] Lb-in 0.78 Nm | 34-058 | 34-158 |
| [10.8] Lb-in 1.22 Nm | 34-062 | 34-162 |
| [13.9] Lb-in 1.57 Nm | 34-066 | 34-166 |
| [17.8] Lb-in 2.01 Nm | 34-070 | 34-170 |
| [20.8] Lb-in 2.35 Nm | 34-074 | 34-174 |
| [24.7] Lb-in 2.79 Nm | 34-080 | 34-180 |

2. TORQUE TOLERANCE: ± 20%
3. LIFE: 50,000 CYCLES WHEN DUTY CYCLE IS LESS THAN 10% AND ROTATIONAL SPEED IS LESS THAN 100 RPM. 30 SECONDS MAXIMUM CONTINUOUS ACTUATION.
- [4] FLATS TO BE ORIENTED ± 5° WITH RESPECT TO DATUM A AS SHOWN.
- [5] DESIGNED TO ACCEPT M4 OR #8 SCREW OR EQUIVALENT
6. USER MUST DETERMINE FITNESS FOR USE IN APPLICATION
7. MATERIAL:
 BRACKET IS ZINC
 SHAFT ENDS ARE PLATED STEEL
 - LOW CARBON STEEL WITH ZINC PLATE
 SHAFT AND TORQUE ELEMENT ARE
 HARDENED STEEL



SPECIFICATIONS SUBJECT TO CHANGE

INTERPRET PRINT PER
 ASME Y14.5M-1994
 THIS PRINT IS THE
 CONFIDENTIAL PROPERTY
 OF REELL PRECISION MFG.
 THIRD ANGLE PROJECTION



REELL PRECISION MANUFACTURING
 1259 WILLOW LAKE BOULEVARD
 SAINT PAUL, MINNESOTA 55110-5103, USA

| LEVEL | DESCRIPTION | DRAWN | DATE | APPROVED |
|-------------------|---------------|---------------------------------|------|--------------|
| DRAWN: LIM | DATE: 7-3-01 | REFERENCE: 34-XXX | | |
| CHECKED: TWJ | DATE: 8-30-01 | TITLE: POSITIONING HINGE, RIGHT | | |
| APPROVED: TWJ | DATE: 8-30-01 | PART NO: PHB SERIES | | |
| REVISED: 12-18-13 | DIMS: [mm]IN | REV: L | | |
| SCALE: 1:1 | | DO NOT SCALE DRAWING | | SHEET 1 OF 1 |

8 7 6 5 4 3 2 1