



GEEPLUS

Rotary Solenoid size 590

Device drawn in de-energised condition

Life Expectancy (cycles): >2M (-R),
>10M (-RE), >50M (-RL)

Available mechanical options:

A: shaft extension (armature side)

B: shaft extension (base side)

D: dust cover over the armature

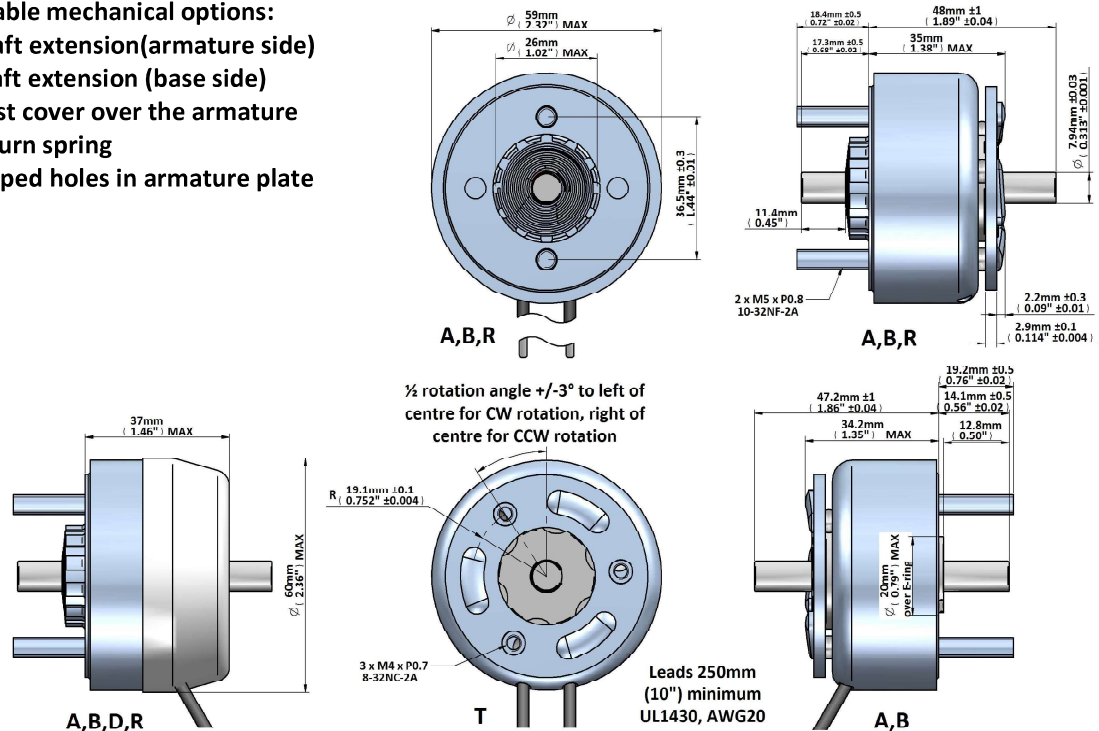
R: return spring

T: tapped holes in armature plate

Available angle options:

25°, 35°, 45°, 67,5°, 95° (CW/CCW)

Mass 506 grammes



Data at 20°C, device connected to heatsink 310x310x3mm aluminum

return spring 45 ~ 65 mNm

duty cycle = $\frac{\text{"on" time}}{\text{"on" time} + \text{"off" time}} \times 100\%$		100% cont.	75% or less	50% or less	25% or less	10% or less	
Max. "on" time in seconds		∞	115	87	36	13	
watts at 20°C		29	38,5	58	116	290	
ampere-turns at 20°		1240	1440	1760	2490	3920	
Gross starting torque at 20°C (Nm)		25°	0,53	0,69	1,02	1,8	3,2
		35°	0,39	0,53	0,75	1,38	2,14
		45°	0,195	0,276	0,40	0,75	1,26
		67,5°	0,184	0,240	0,355	0,65	1,00
		95°	0,103	0,138	0,195	0,38	0,60
AWG no.	resistance $\Omega \pm 10\%$ (at 20°C)	number of turns	volts DC				
	22		2,23	336	8,3	9,6	12
23	3,60	432	10	12	15	21	33
24	5,24	500	13	15	18	26	41
25	9,51	708	16	19	23	33	52
26	14,4	858	21	24	29	41	66
27	23,7	1110	26	30	37	52	83
28	38,2	1411	33	38	47	66	104
29	54,7	1638	41	48	59	83	131
30	93,7	2184	52	61	74	104	165
31	143	2645	66	76	93	131	207
32	223	3328	83	96	117	165	261
33	338	4004	104	121	147	208	329
34	550	5088	131	152	185	262	-
35	790	5860	165	192	233	330	-
36	1233	7260	208	242	294	-	-

Insulation Resistance >100MΩ, 500VDC Megger
Class E (120°C) insulation class

Dielectric Strength 1000VAC, 50/60Hz, 1 minute

Geepus reserves the right to change specifications without notice

www.geepus.com