



GEEPLUS

Rotary Solenoid size 341

Device drawn in de-energised condition

Life Expectancy (cycles): >2M (-R),

>10M (-RE), >50M (-RL)

Available mechanical options:

A: shaft extension (armature side)

B: shaft extension (base side)

D: dust cover over the armature

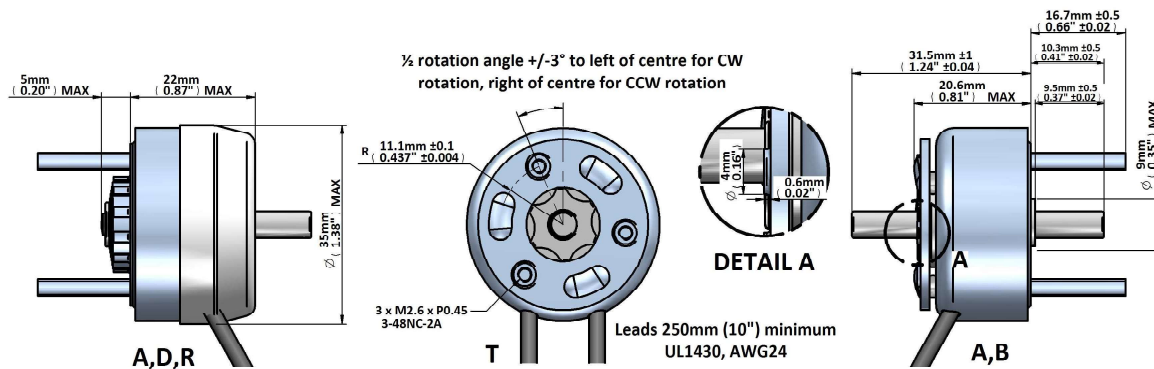
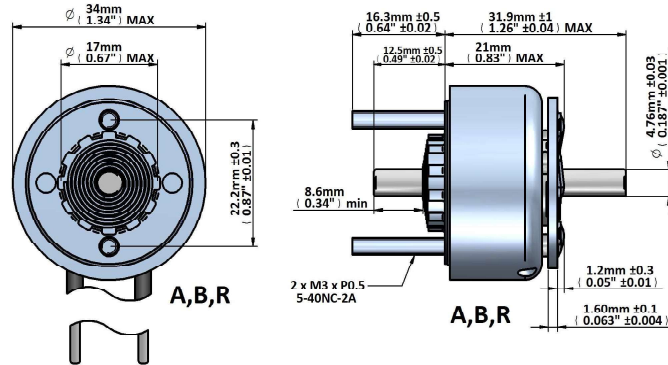
R: return spring

T: tapped holes in armature plate

Available angle options:

25°, 35°, 45°, 67,5° (CW/CCW)

Mass 97 grammes



Data at 20°C, device connected to heatsink 120x120x3mm aluminum

return spring 11 ~ 17 mNm

duty cycle = $\frac{\text{"on" time}}{\text{"on" time} + \text{"off" time}} \times 100\%$		100% cont.	75% or less	50% or less	25% or less	10% or less	
Max. "on" time in seconds		∞	107	100	36	8	
watts at 20°C		9	12	18	36	90	
ampere-turns at 20°		535	618	756	1070	1690	
Gross starting torque at 20°C (Nm)		25°	0,040	0,052	0,081	0,150	0,310
		35°	0,029	0,040	0,063	0,115	0,230
		45°	0,017	0,022	0,040	0,092	0,16
		67,5°	0,012	0,017	0,022	0,046	0,075
		95°	-	-	-	-	-
AWG no.	resistance $\Omega \pm 10\%$ (at 20°C)	number of turns	volts DC				
25	1,97	252	4,2	4,8	5,9	8,4	13
26	3,26	328	5,3	6,1	7,5	11,0	17,0
27	5,04	405	6,7	7,7	9,4	13,0	21,0
28	8,02	510	8,4	9,7	12,0	17	26
29	12,21	627	10	12	15	21	33
30	19,2	780	13	15	19	26	42
31	31,8	1008	17	19	24	33	53
32	47,0	1215	21	24	30	42	66
33	75,3	1530	26	31	37	53	84
34	120,5	1900	33	38	40	67	105
35	198	2486	42	48	59	84	133
36	280	2700	53	61	75	106	167
37	426	3350	67	77	94	133	210
38	648	4050	84	97	118	168	264
39	1020	5050	105	122	149	211	333
40	1667	6590	133	153	187	265	419

Insulation Resistance >100MΩ, 500VDC Megger

Dielectric Strength 1000VAC, 50/60Hz, 1 minute

Class E (120°C) insulation class

Geeplus reserves the right to change specifications without notice

www.geeplus.com