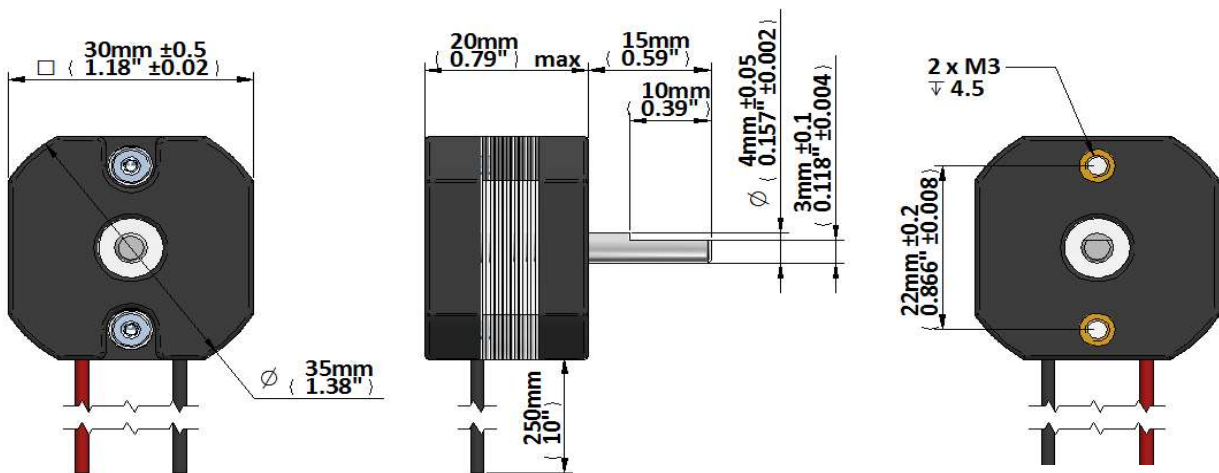
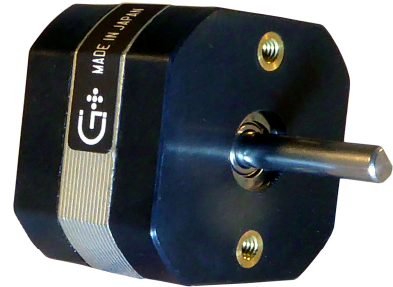




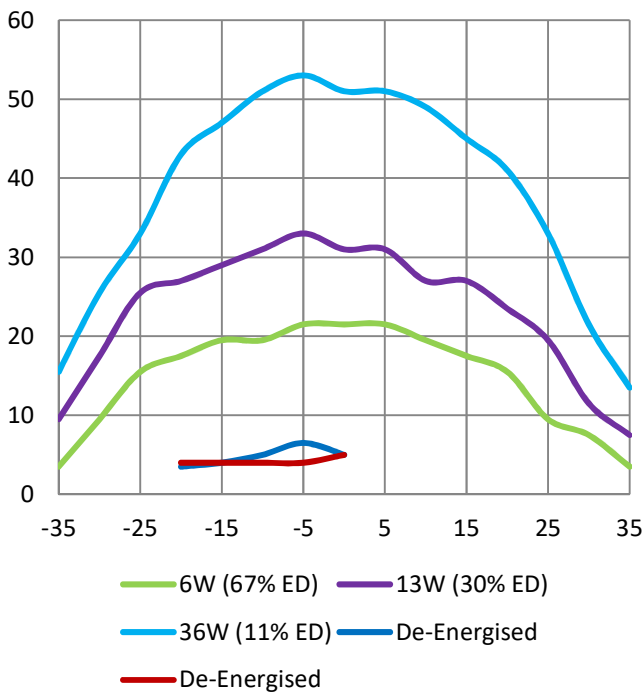
GEEPLUS

RM301-4P-06

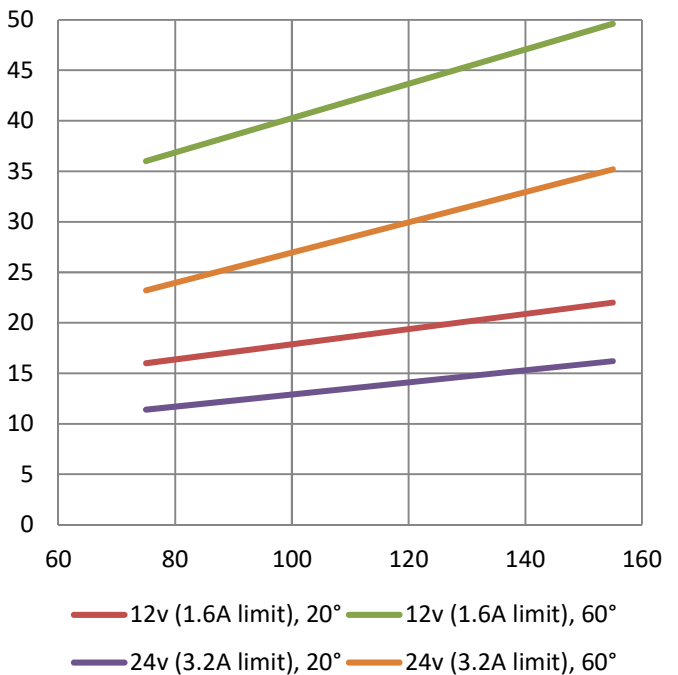
Device drawn with shaft aligned to mid position  
 Suffix 06, 12, 24 for operation at 6v, 12v, 24v, 100%ED  
 Rotor Inertia 2.1 gcm<sup>2</sup>  
 Life Expectancy >10M cycles, no load  
 Optimal rotation +/- 15°, Mass 62 grammes  
 Insulation Resistance >50MΩ, 500VDC Megger  
 Dielectric Strength 500vAC, 50/60Hz, 1 minute  
 Class E (120°C) insulation class



Torque (mNm) vs Angle



Response (ms) vs Load Inertia (gcm<sup>2</sup>)



Geeplus reserves the right to change specifications without notice

www.geeplus.biz e-mail: info@geeplus.biz