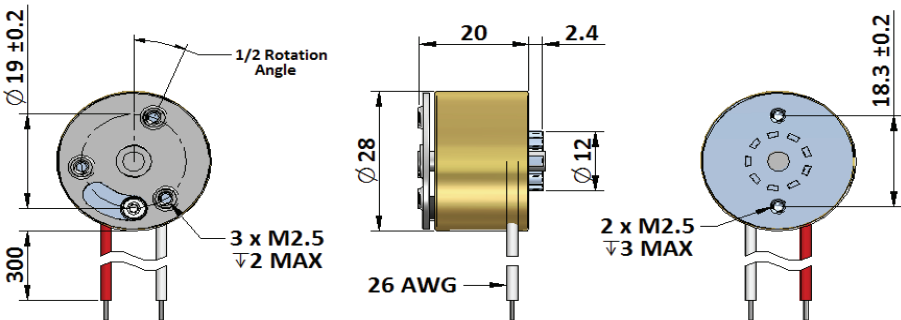




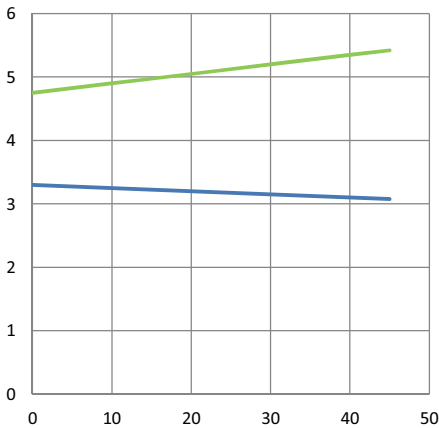
GEEPLUS

BRS2820-xxCCW-yy

xx in P/N is rotation angle (25, 35, 45 CW & CCW)
 yy in P/N is nominal voltage (12v, 27.5Ω or 24v, 110Ω)
 Rotor Inertia 1.8 gcm²
 Life Expectancy >10M cycles, no load
 Mass 50 grammes
 Insulation Resistance >100MΩ, 500VDC Megger
 Dielectric Strength 1000vAC, 50/60Hz, 1 minute
 Class E (120°C) insulation class

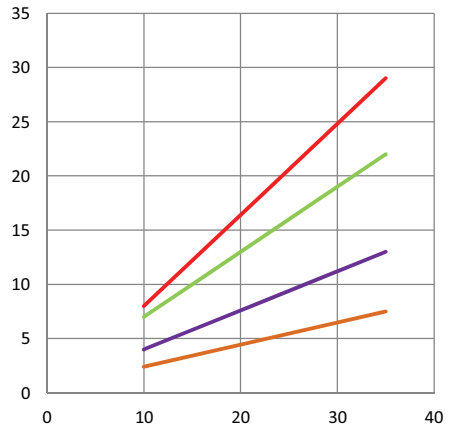


Torque (mNm) vs Angle



Return Spring 5W (100% ED)

Response (ms) vs Angle



Spring Only 1W 5W 21W